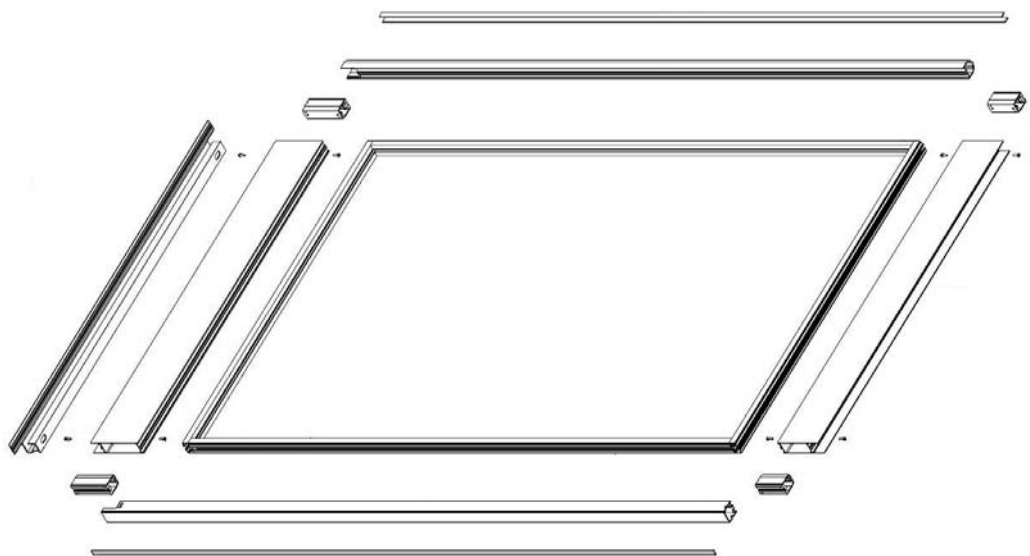


DORMA AUTOMATICS



PARTS
CATALOG
VERSION 2





Automatics Part Number Description

D ◀ 1234 - ■ ●

First Character Always 'D' for DORMA

◀ **Second Character** Type of Part

- C - Component, general component or machined extrusion
- D - Decal, stickers and labels
- E - Extrusion, aluminum or rubber with a variable length
- F - Fastener, nuts, bolts, screws, and washers
- K - Kit, a combination of many parts
- S - Sub-Assembly, assembly of parts
- X - Electronic, electrical parts such as wires, switches, etc...

4-Digit Number Base Part Number

■ Configuration

-01_	First configuration or for left hand parts
-02_	Second configuration or for right hand parts
-M_	Medium stile configurations

● Finish

A	Clear anodized or satin silver finish
B	Dark bronze anodized
C	Black anodized, hardcoated, or paint
Z	Zinc plated (similar to chrome or nickel plate)



DORMA Parts Catalog

Table of Contents

	<u>Page #</u>
ED 400	
• Exploded View [Header]	1
• Header Table	2
• Arm Components Table	3
• Exploded View [Arm Components]	4
• Exploded View [S Panel]	5
• S Panel Table	6
ED 700	
• Exploded View [Header]	7
• Header Table	8
• Arm Components Table	9
• Exploded View [Arm Components]	10
ESA 100	
• Exploded View [Header]	11
• Header Table	12
• Exploded View [X Panel]	13
• X Panel Table	14
• Exploded View [O Panel]	15
• O Panel Table	16
ESA 200	
• Exploded View [Header]	17
• Header Table	18
• Exploded View [SX Panel]	19
• SX Panel Table	20
• SX Panel Table (2)	21
• Exploded View [O Panel]	22
• O Panel Table	23

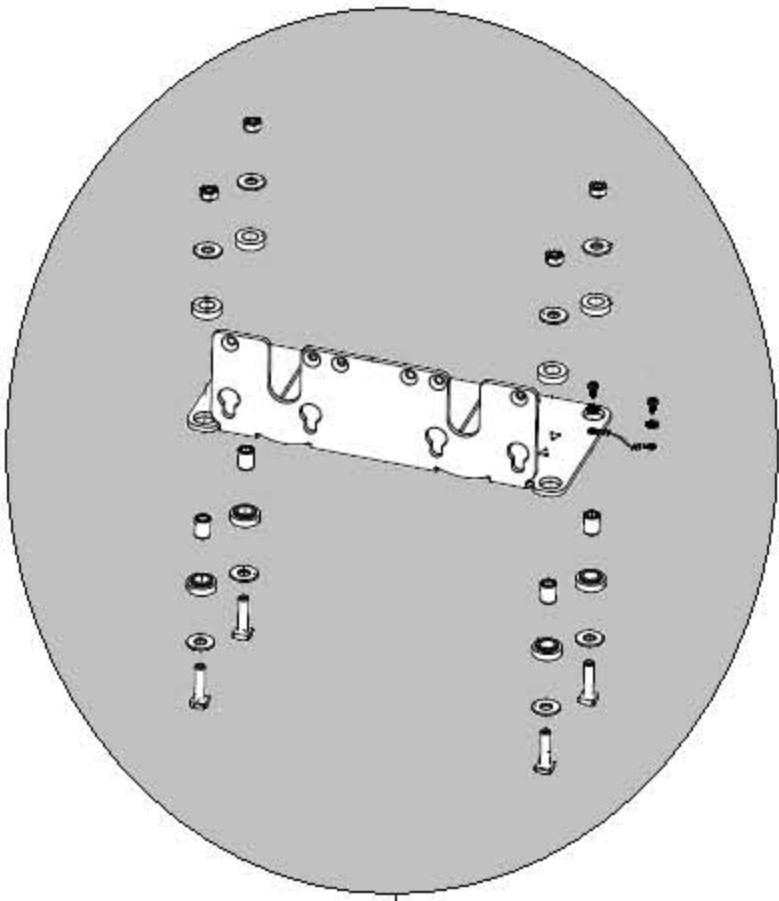


DORMA Parts Catalog

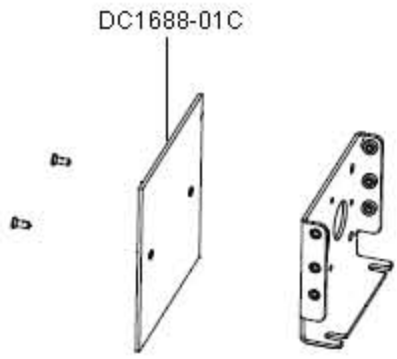
Table of Contents

(continued)

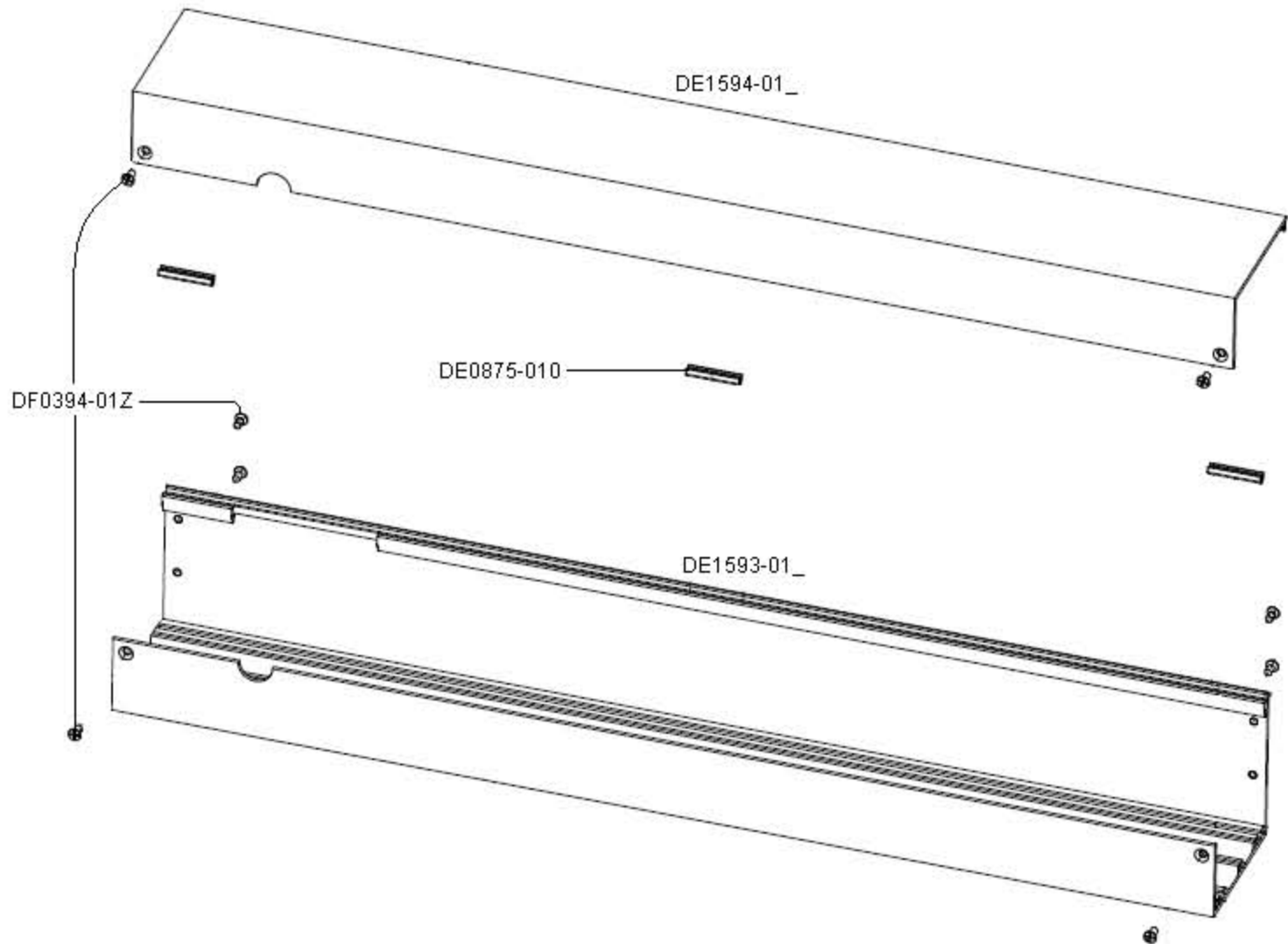
	<u>Page #</u>
ESA 300	
• Exploded View [Header]	24
• Header Table	25
• Exploded View [SX Panel]	26
• SX Panel Table	27
• SX Panel Table (2)	28
• Exploded View [SO Panel]	29
• SO Panel Table	30
ESA 400	
• Exploded View [Header]	31
• Header Table	32
• Exploded View [SX Panel]	33
• SX Panel Table	34
• SX Panel Table (2)	35
• Exploded View [SO Panel]	36
• SO Panel Table	37
ESA 500	
• Exploded View [Header]	38
• Header Table	39
• Exploded View [SX Panel]	40
• O/SX Panel Table	41
• Exploded View [O Panel]	42
ICU Trackless	
• Exploded View [Header]	43
• Header Table	44
• Exploded View [Panel Components]	45
• Panels Table	46
• Panels Table (2)	47
Accessories	
• Activation / Safety Sensor Options, Push Plates, Transmitters, Receivers, and Bollards	48



DS1584-010



DC1688-01C



DE1594-01_

DE0875-010

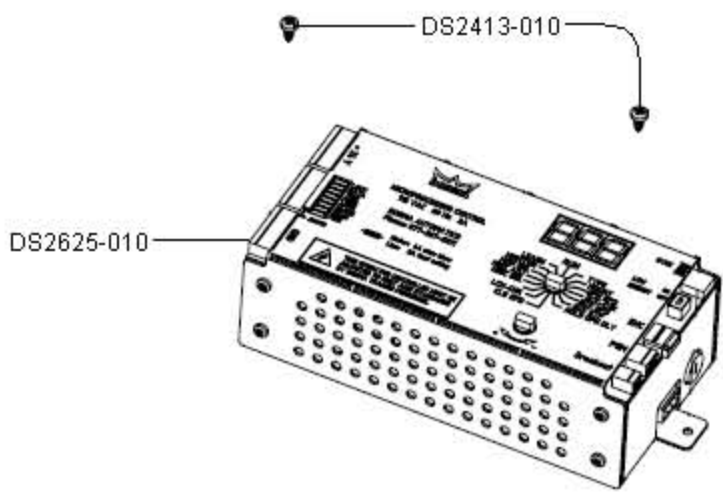
DF0394-01Z

DE1593-01_

DS1690-01Z

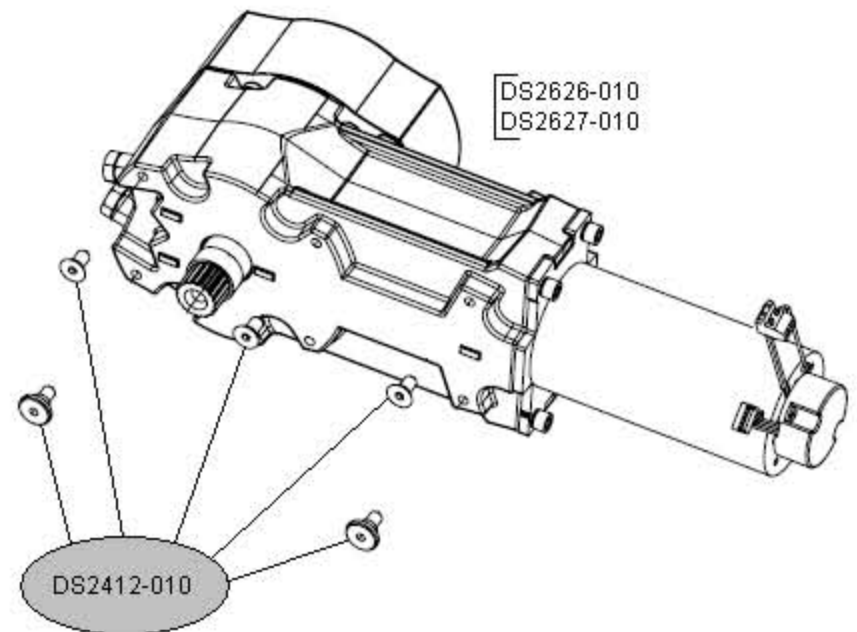


DF0729-01C



DS2413-010

DS2625-010



DS2626-010
DS2627-010

DS2412-010

HEADER
ED 400

HEADER

PART #	DESCRIPTION
DC1688-01C	End Cap
DD2522-010	Dorma Logo Badge (not shown)
DE0875-010	Retainer
DE1593-01_	Header Backmember
DE1594-01_	Header Faceplate
DF0394-01Z	1/4-20x1/2" FHMS
DF0729-01C	#10-24x5/16" lg. PH.Fl.Hd. 82° UNC
DS1473-010	On/Off/Open Switch (not shown)
DS1584-010	ED400, Bracket Assembly, OHC
DS1690-01Z	Jamb Bracket Assembly
DS2234-010	Accessory Kit (not shown)
DS2412-010	Screw Bag Operator
DS2413-010	Controller Screw Bag
DS2625-010	Controller
DS2626-010	Operator L.H.
DS2627-010	Operator R.H.
DC0986-01X	Lock Indicator
DC3179-010	MS Sedco Wall Mounted Wireless Push Button
DC3180-010	MS Sedco Handheld Wireless Micro-Transmitter
DC3181-010	MS Sedco Multi-Mode Wireless Reciever
DX0476-000	BEA Eagle
DX0477-010	BEA Bodyguard
DX0482-000	BEA Superscan II
DX0485-010	BEA Safety Beams

Special Options

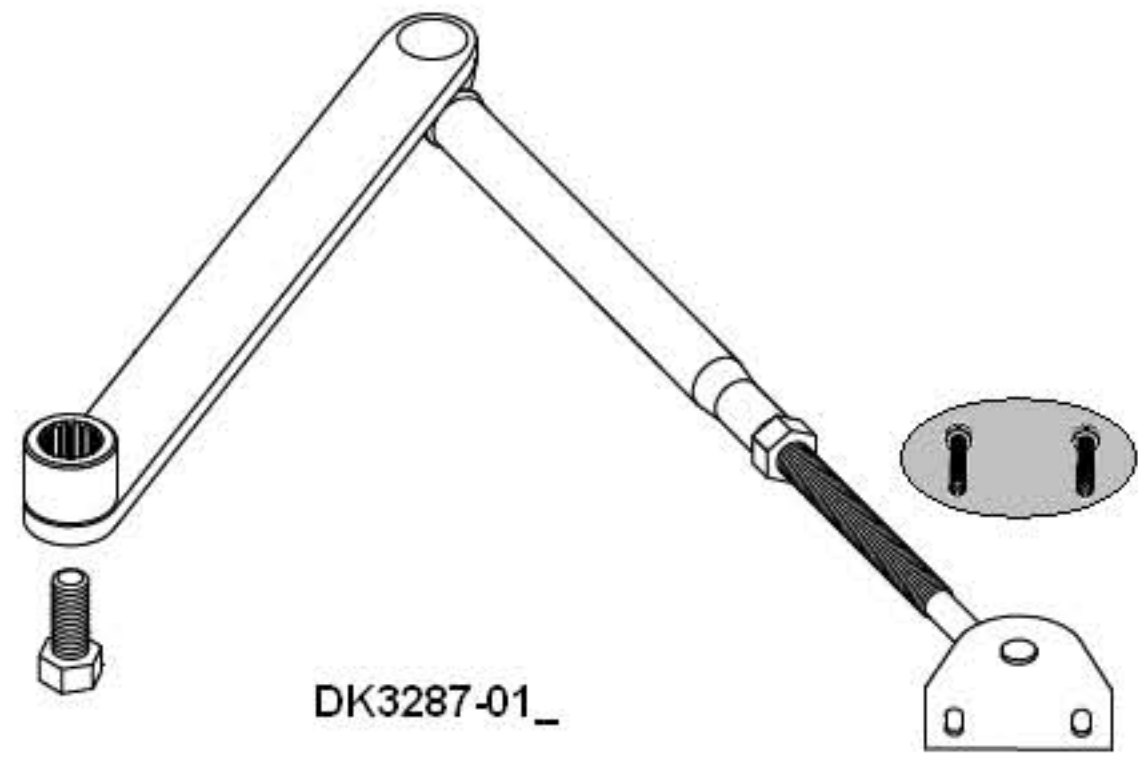
Special options are not shown

ED 400

ARM COMPONENTS

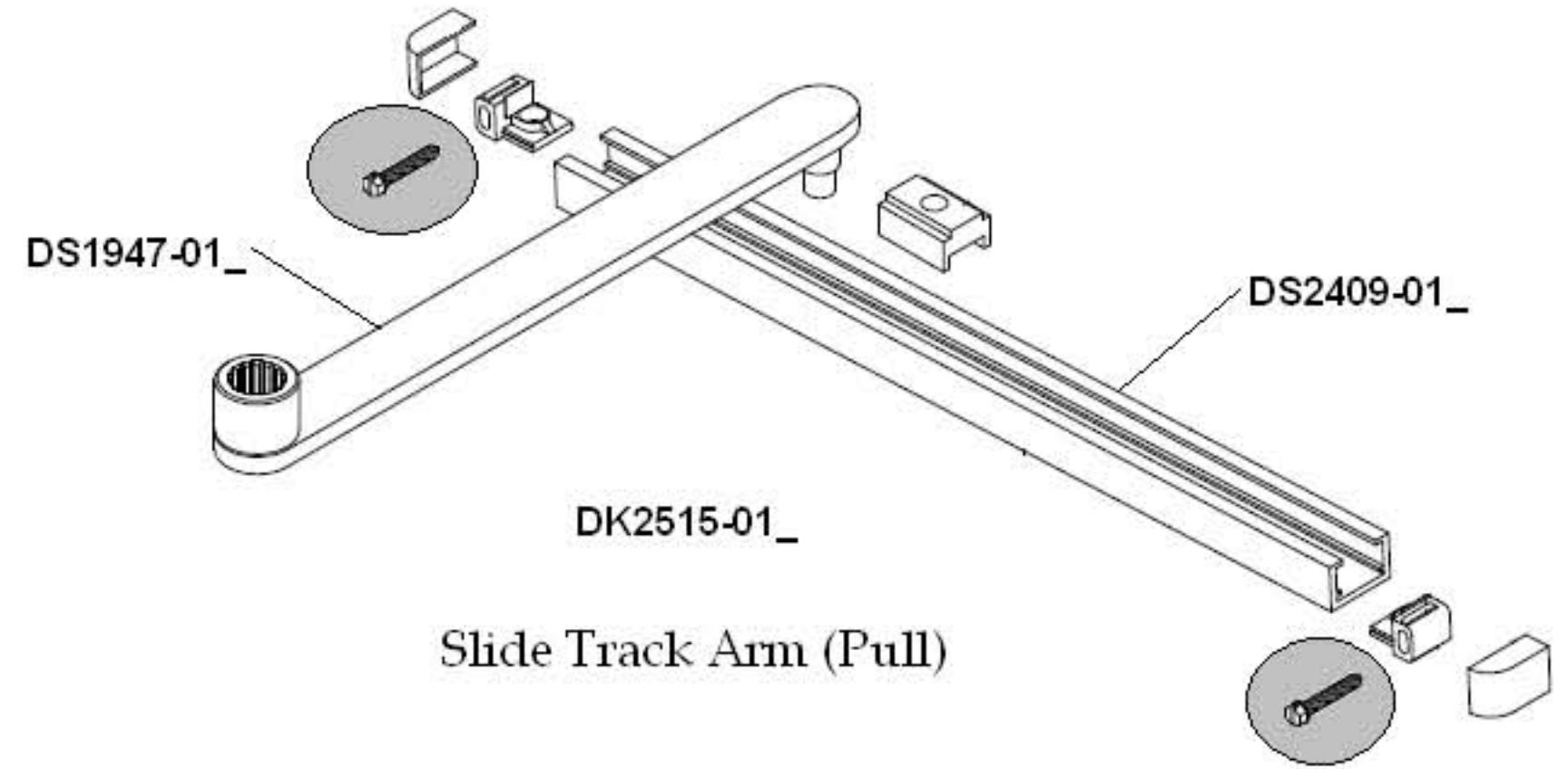
	PART #	DESCRIPTION	
Push Arms	DK3287-01A	UNIVERSAL SCISSOR CL	
	DK3287-01B	UNIVERSAL SCISSOR DB	
	DK2494-01A	DOUBLE EGRESS SCISSOR ARM CL	
	DK2494-01B	DOUBLE EGRESS SCISSOR ARM DB	
	DF2495-01Z	HEX HD 3/8 X 2" ZINC	
Pull Arms, 0" - 6" Reveal	DS2223-01A	KIT,SL TRCK/ARM LH 0"-6" CL	
	DS2223-01B	KIT,SL TRCK/ARM LH 0"-6" DB	
	DS2222-01A	KIT,SL TRCK/ARM RH 0"-6" CL	
	DS2222-01B	KIT,SL TRCK/ARM RH 0"-6" DB	
	DS2219-01A	TRACK ARM LH CL	
	DS2219-01B	TRACK ARM LH DB	
	DS2516-01A	TRACK ARM RH CL	
	DS2516-01B	TRACK ARM RH DB	
	DK2891-010	PIN & BLOCK	
	DS2409-01A	SLIDE TRACK KIT CL	
	DS2409-01B	SLIDE TRACK KIT DB	
	Pull Arms, 0" Reveal	DS2515-01A	KIT, SL TRK/ARM 0" REVEAL CL
		DS2515-01B	KIT, SL TRK/ARM 0" REVEAL DB
DS1947-01A		TRACK ARM RH CL	
DS1947-01B		TRACK ARM RH DB	
DS2409-01A		SLIDE TRACK KIT CL	
DS2409-01B		SLIDE TRACK KIT DB	

ED 400



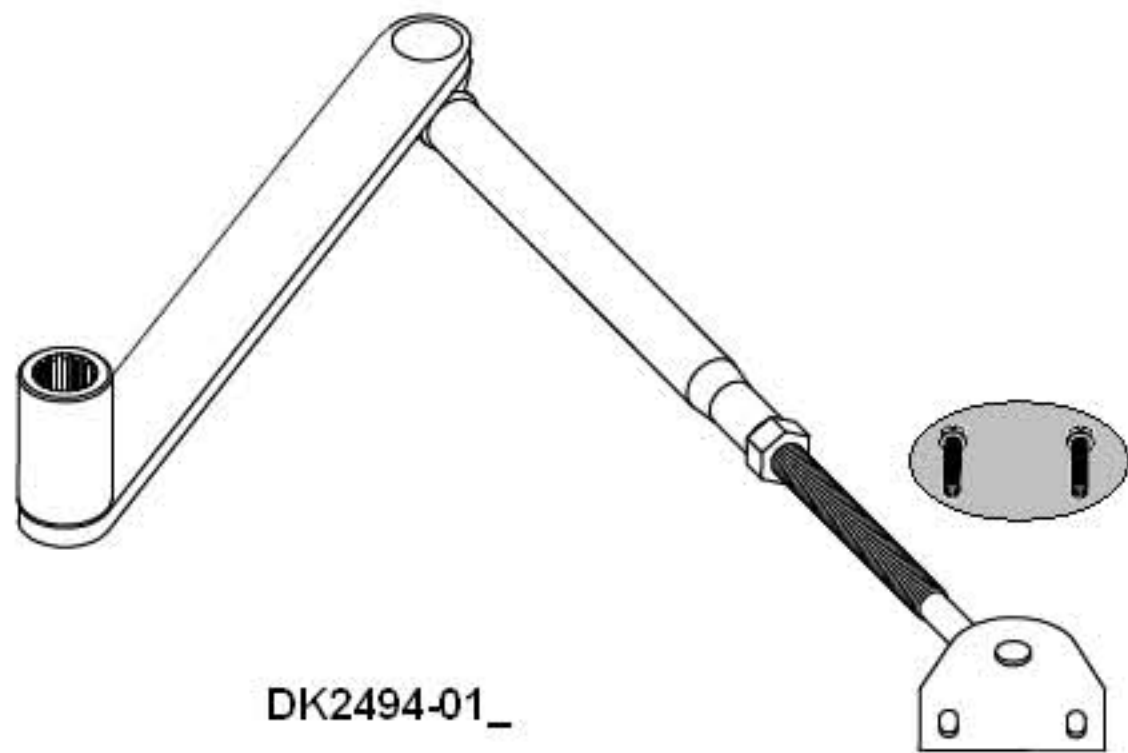
DK3287-01_

Scissor Arm (Push & Pull)



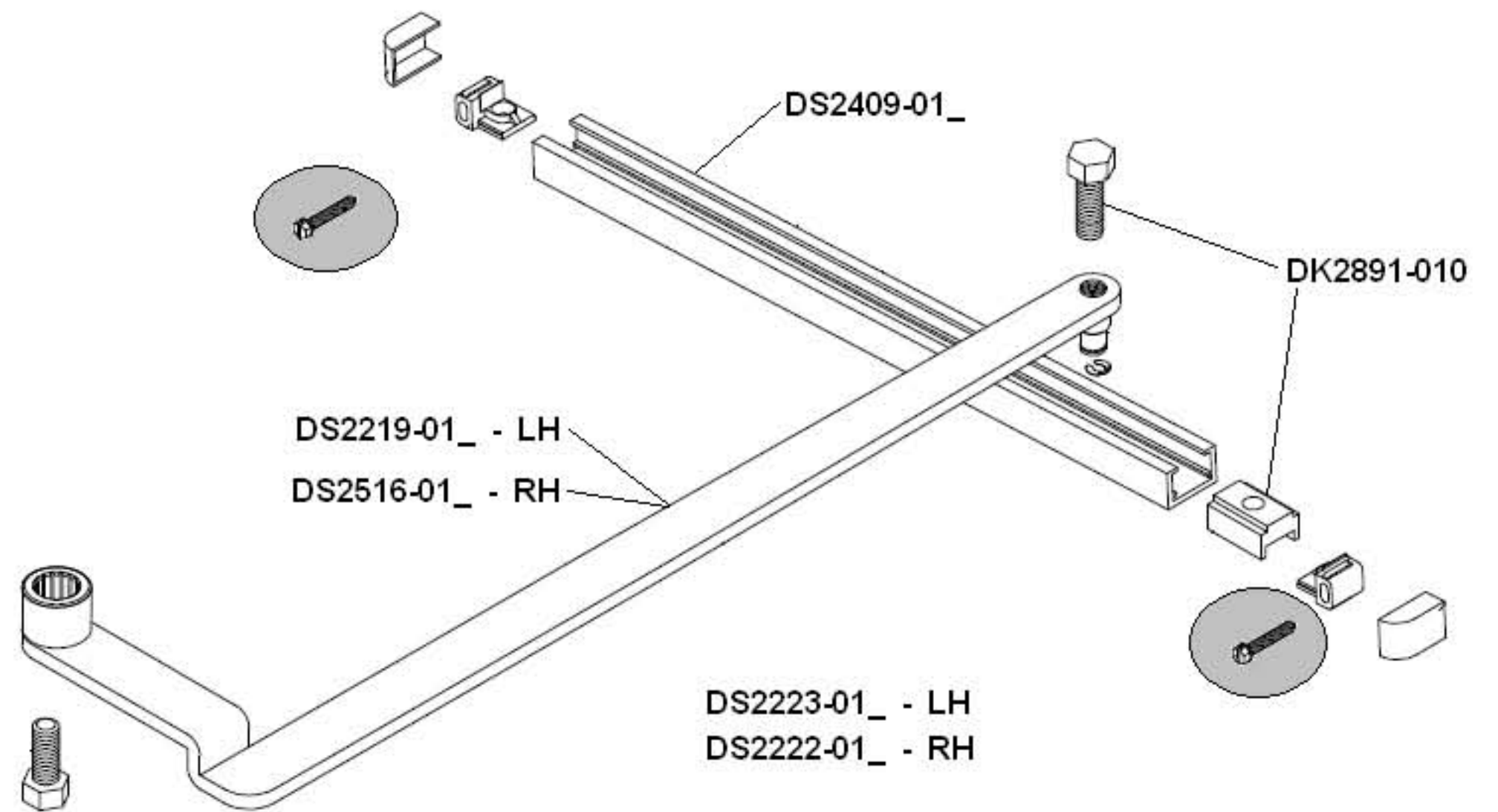
DK2515-01_

Slide Track Arm (Pull)



DK2494-01_

Scissor Arm (Double Egress)



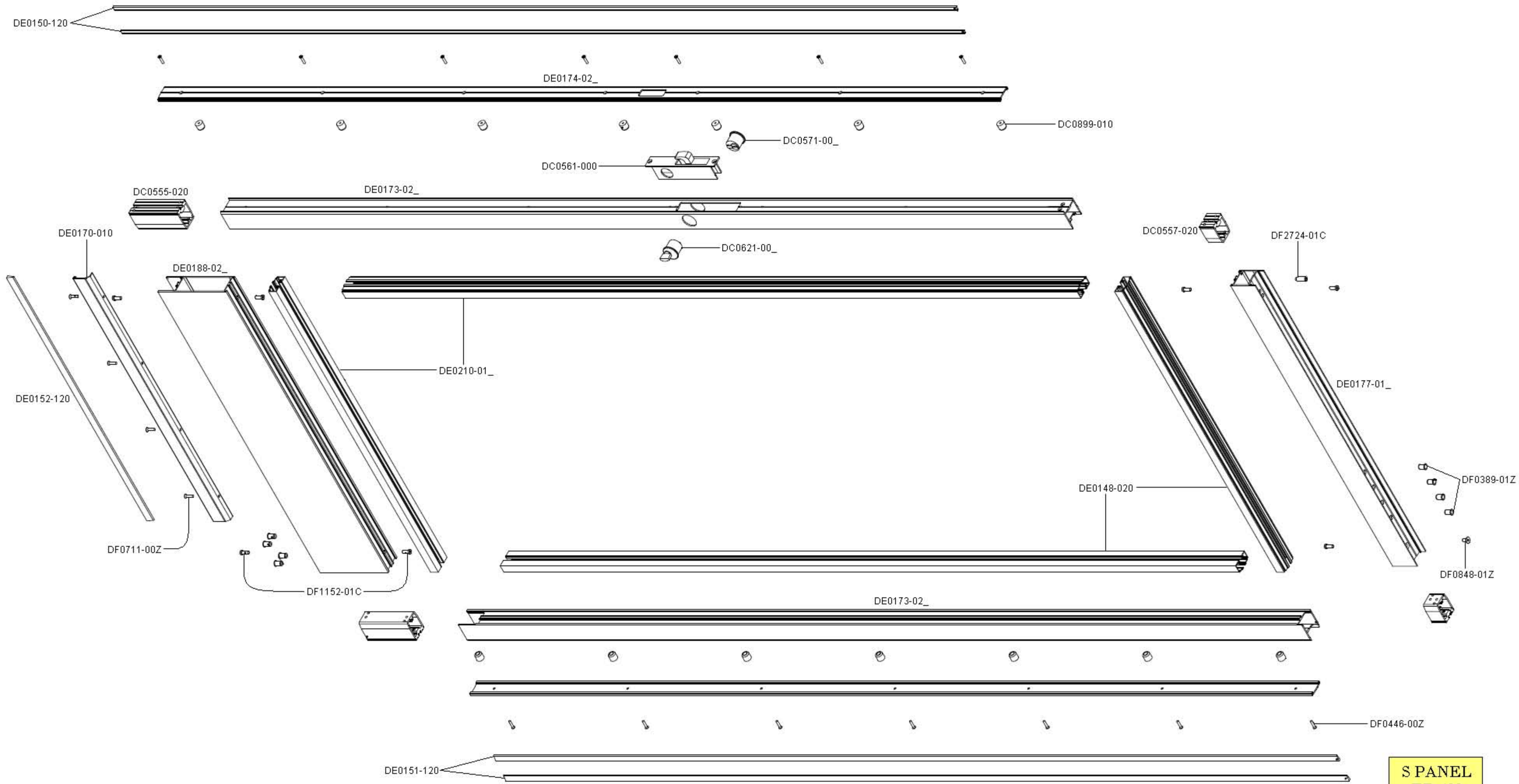
DS2219-01_ - LH

DS2516-01_ - RH

DS2223-01_ - LH

DS2222-01_ - RH

Slide Track Arm (Pull)
For Deep Reveals



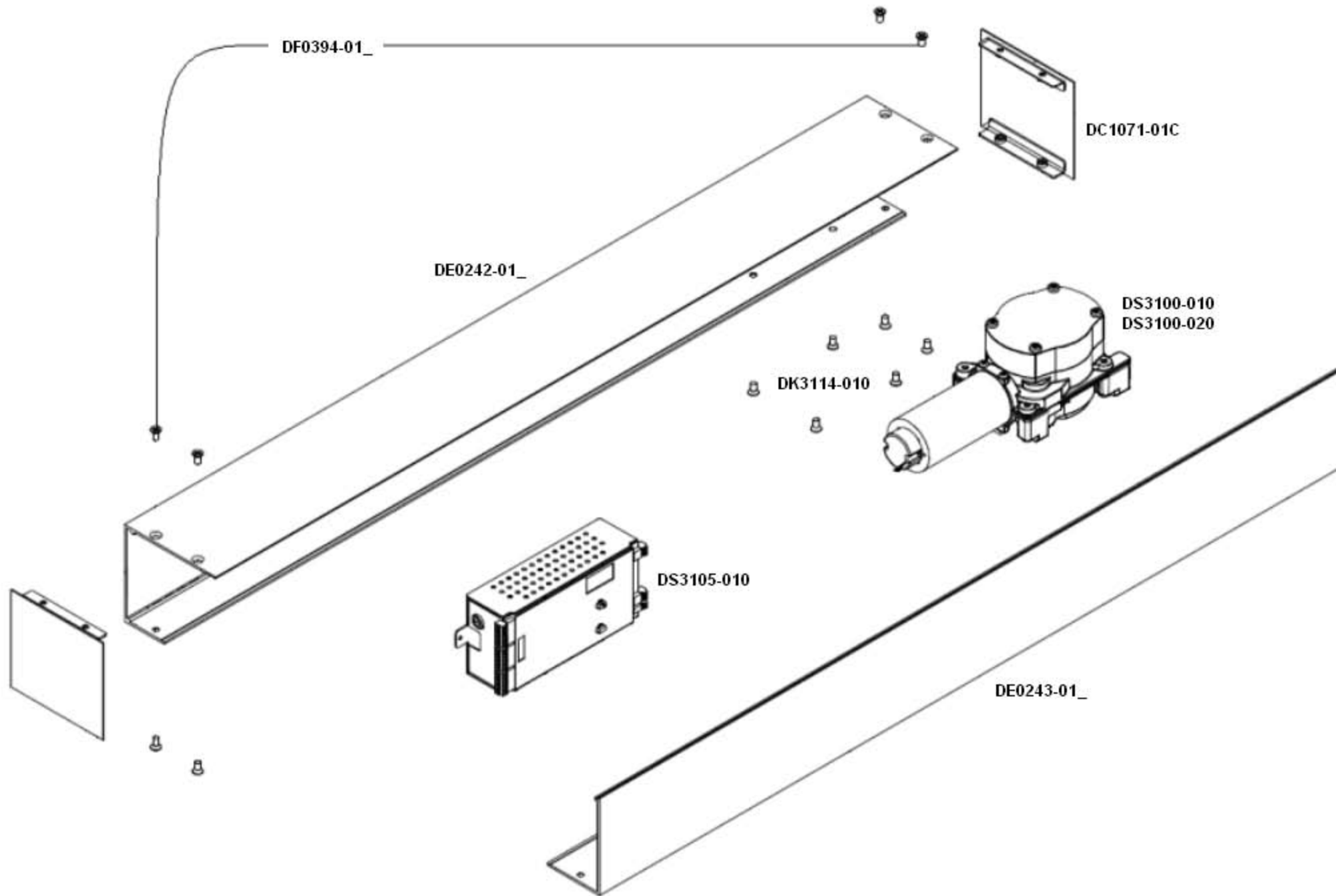
ED400

S PANEL



PART #	DESCRIPTION
DC0555-020	Shear Block, Bottom - 4.783"
DC0557-020	Shear Block, Top - 1.374"
DC0561-000	Mortise Lock
DC0571-00_	Lock Cylinder W/Key
DC0621-00_	Lock Cylinder W/Thumbturn
DC0760-010	1" Fingerguard (not shown)
DC0899-010	Grommet - Astragal Adjustment
DE0148-020	Glazing Bead
DE0150-120	Weatherstrip - SK2784 (8.4mm)
DE0151-120	Weatherstrip - SK27134 (13.4 mm)
DE0152-120	Weatherstrip - SK27159 (15.9mm)
DE0170-010	Door Panel Floor Sweep
DE0173-02_	Lead / Heal Stile
DE0174-02_	Lead Astragal w/Lock Prep
DE0177-01_	Top Rail
DE0188-02_	Bottom Rail
DE0210-01_	Glass Stop 1/4" (Vertical) & (Horizontal)
DE0211-01_	Glass Stop 1" (Vertical) & (Horizontal)
DE0233-01_	Threshold 4 1/2" (not shown)
DF0389-01Z	1/4-20 Knurled Rivet Nut
DF0446-00Z	#8 X 3/4 Ph FH A S Zinc
DF0711-00Z	10-24 X 3/4 Phillips Flat Head Sheet Metal screw
DF0848-01Z	1/4-20 X 1/2 FH Soc MS - Zinc
DF1152-01C	1/4-20 X 5/8" LHSCS - Black
DF2724-01C	Screw - 3/8-16 X 1" socket set screw w/nylon tip
DS2253-010	Bottom Pivot Assembly (not shown)
DS2897-010	Accessory Kit (not shown)

S Panel



ED700

Header



HEADER

PART #	DESCRIPTION
DC1071-01C	End Cap
DE0242-01_	Header Backmember
DE0243-01_	Header Faceplate
DF0394-01Z	1/4-20X1/2 PH FL UNC MS ZN
DK3110-010	Accy Kit with Switch (not shown)
DK3114-010	Operator Screw Bag
DS0607-010	On/Off/Open Switch (not shown)
DS0778-010	Screw Bag Header/Jamb (not shown)
DS3100-010	Operator Assembly LH
DS3100-020	Operator Assembly RH
DS3105-010	Controller Assembly
DC0986-01X	Lock Indicator
DC3179-010	MS Sedco Wall Mounted Wireless Push Button
DC3180-010	MS Sedco Handheld Wireless Micro-Transmitter
DC3181-010	MS Sedco Multi-Mode Wireless Reciever
DX0476-000	BEA Eagle
DX0477-010	BEA Bodyguard
DX0482-000	BEA Superscan II
DX0485-010	BEA Safety Beams

Special Options

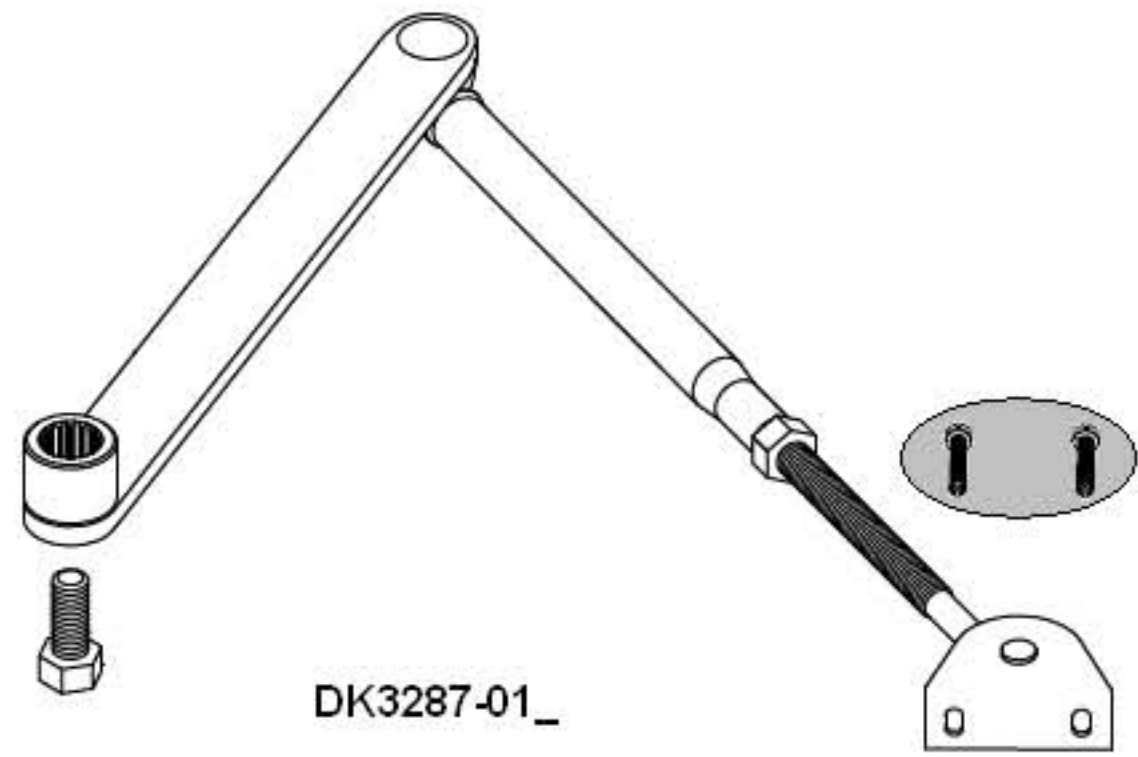
Special options are not shown

ED 700

ARM COMPONENTS

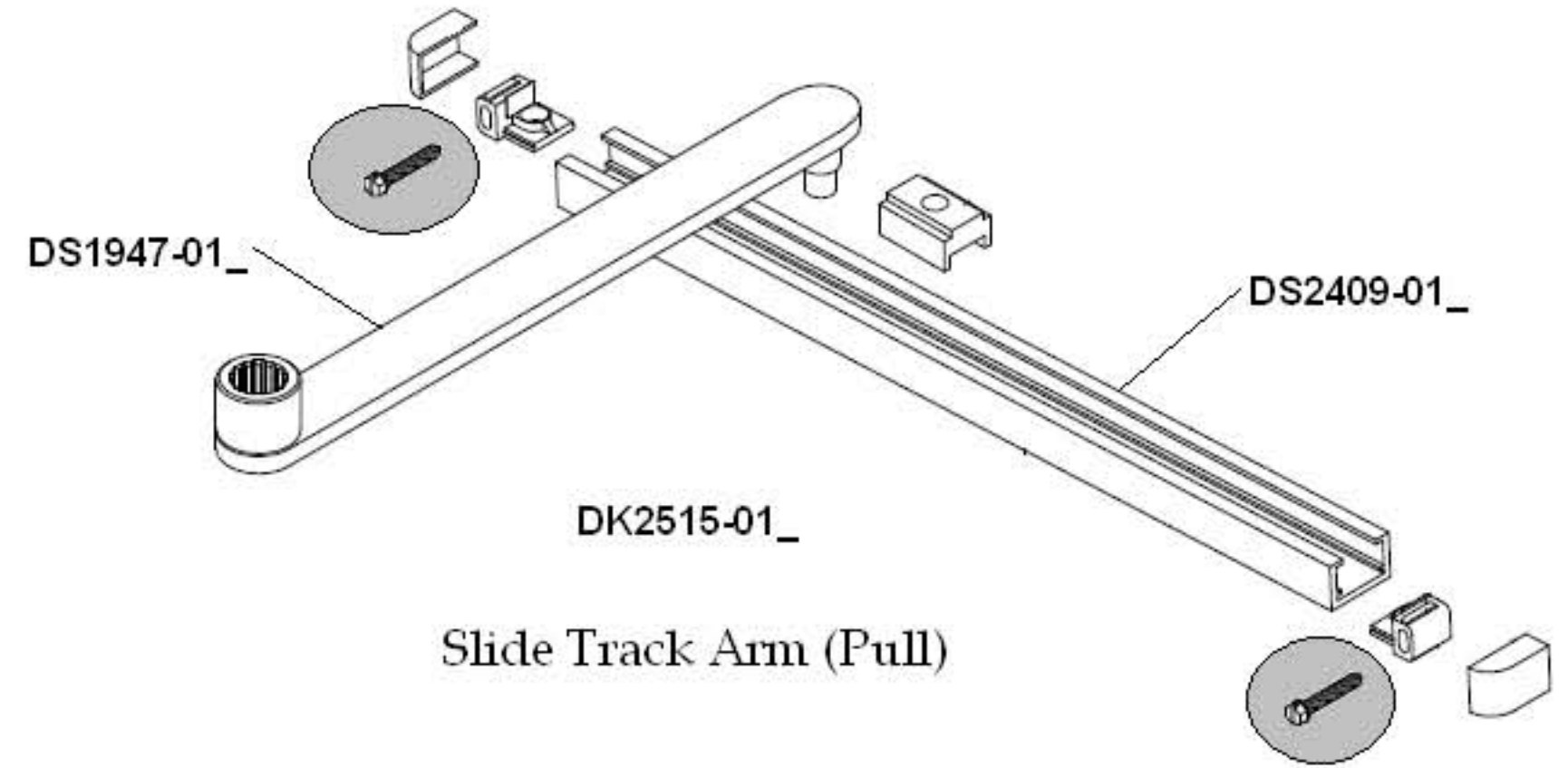
	PART #	DESCRIPTION	
Push Arms	DK3287-01A	UNIVERSAL SCISSOR CL	
	DK3287-01B	UNIVERSAL SCISSOR DB	
	DK2494-01A	DOUBLE EGRESS SCISSOR ARM CL	
	DK2494-01B	DOUBLE EGRESS SCISSOR ARM DB	
	DF2495-01Z	HEX HD 3/8 X 2" ZINC	
Pull Arms, 0" - 6" Reveal	DS2223-01A	KIT,SL TRCK/ARM LH 0"-6" CL	
	DS2223-01B	KIT,SL TRCK/ARM LH 0"-6" DB	
	DS2222-01A	KIT,SL TRCK/ARM RH 0"-6" CL	
	DS2222-01B	KIT,SL TRCK/ARM RH 0"-6" DB	
	DS2219-01A	TRACK ARM LH CL	
	DS2219-01B	TRACK ARM LH DB	
	DS2516-01A	TRACK ARM RH CL	
	DS2516-01B	TRACK ARM RH DB	
	DK2891-010	PIN & BLOCK	
	DS2409-01A	SLIDE TRACK KIT CL	
	DS2409-01B	SLIDE TRACK KIT DB	
	Pull Arms, 0" Reveal	DS2515-01A	KIT, SL TRK/ARM 0" REVEAL CL
		DS2515-01B	KIT, SL TRK/ARM 0" REVEAL DB
DS1947-01A		TRACK ARM RH CL	
DS1947-01B		TRACK ARM RH DB	
DS2409-01A		SLIDE TRACK KIT CL	
DS2409-01B		SLIDE TRACK KIT DB	

ED 700



DK3287-01_

Scissor Arm (Push & Pull)

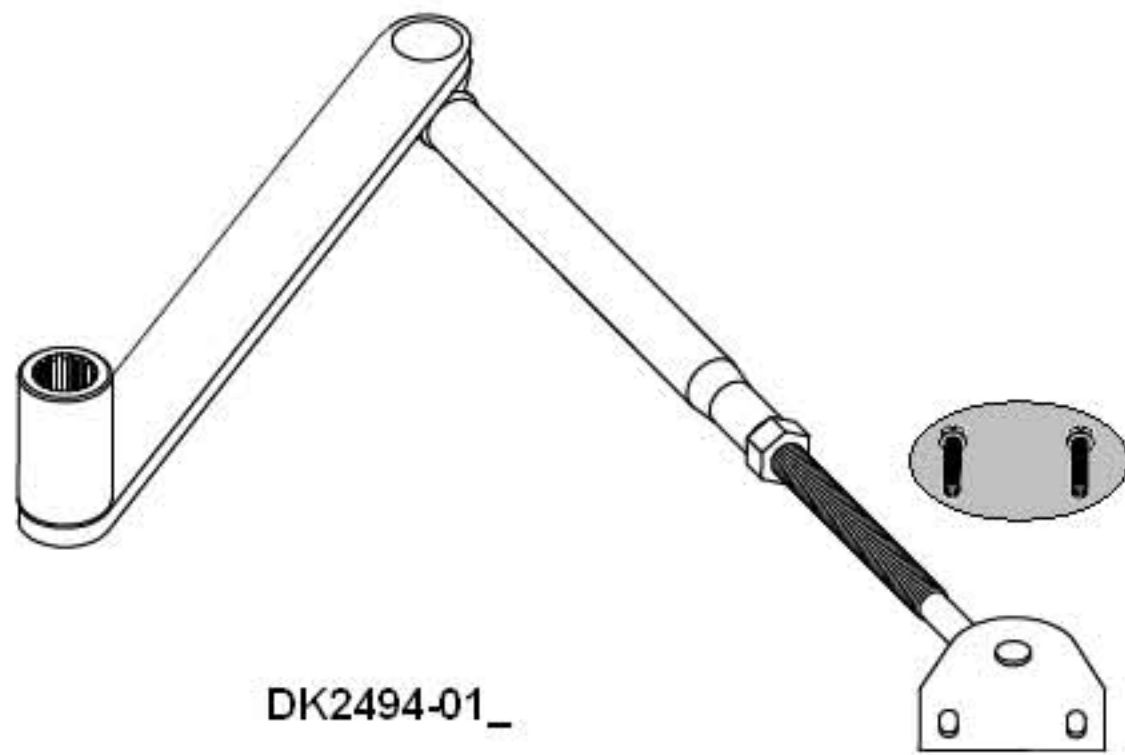


DS1947-01_

DS2409-01_

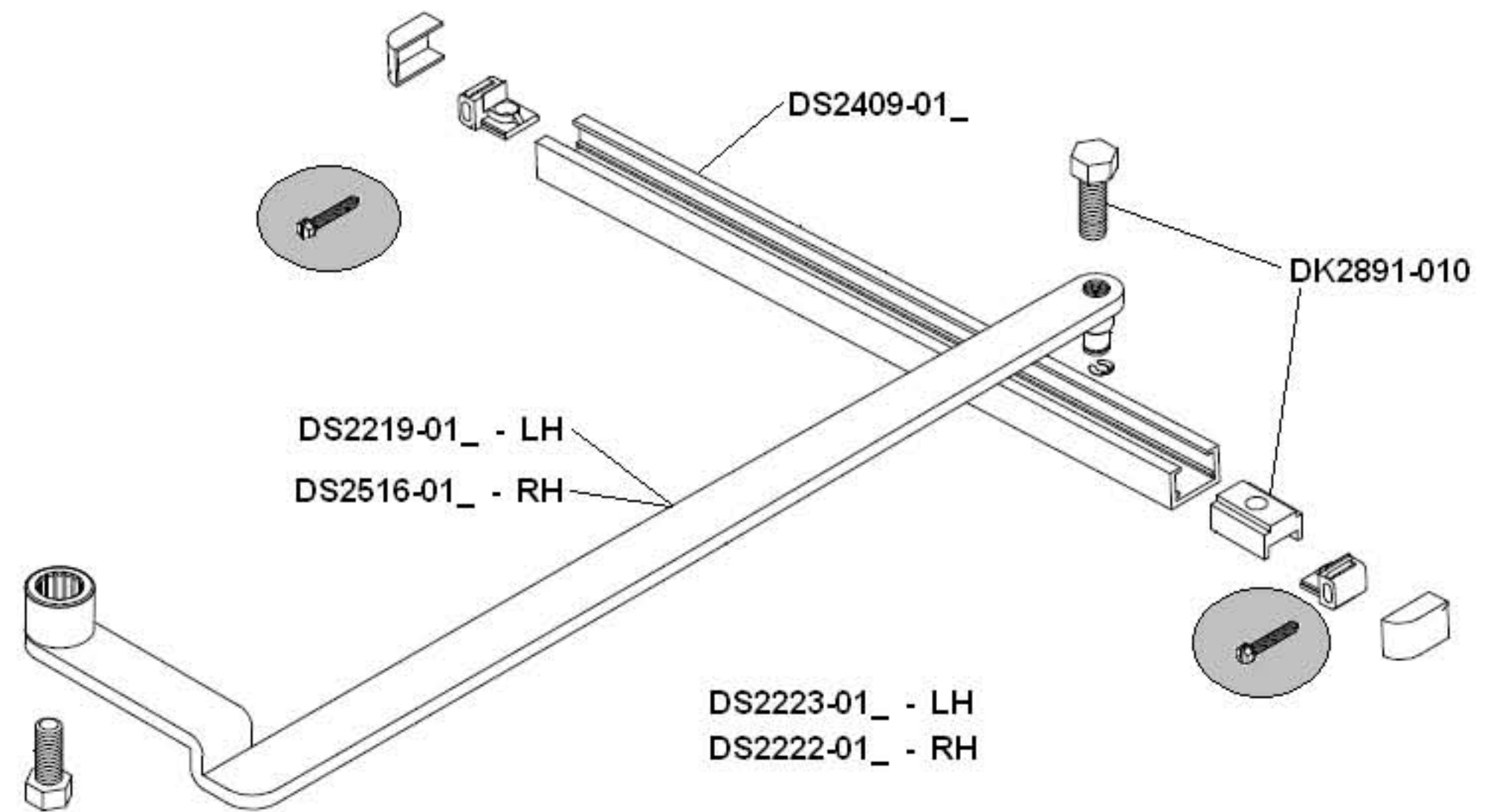
DK2515-01_

Slide Track Arm (Pull)



DK2494-01_

Scissor Arm (Double Egress)



DS2409-01_

DK2891-010

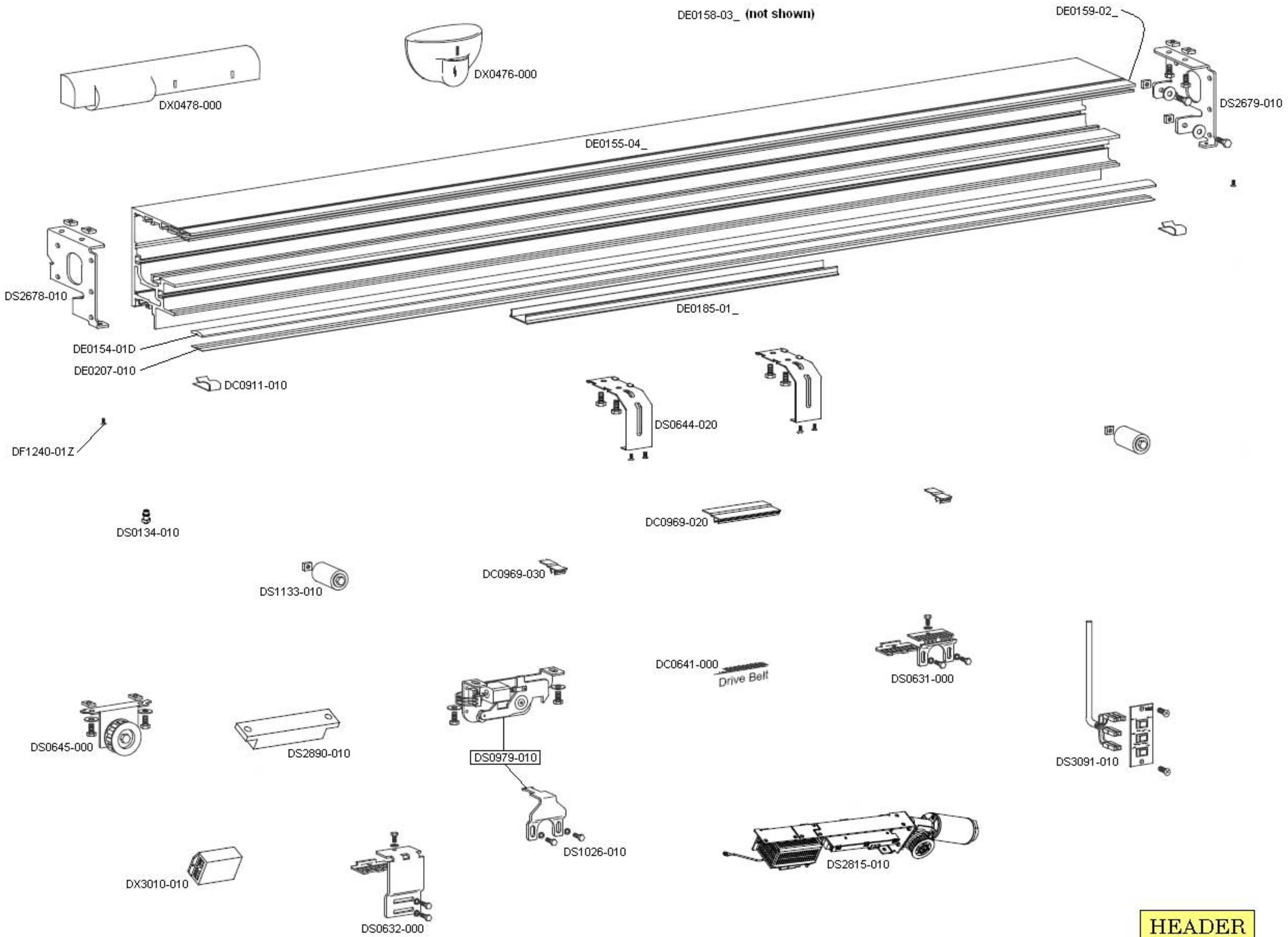
DS2219-01_ - LH

DS2516-01_ - RH

DS2223-01_ - LH

DS2222-01_ - RH

Slide Track Arm (Pull)
For Deep Reveals



HEADER
ESA 100

ESA-100 SLIDING DOOR OPERATOR

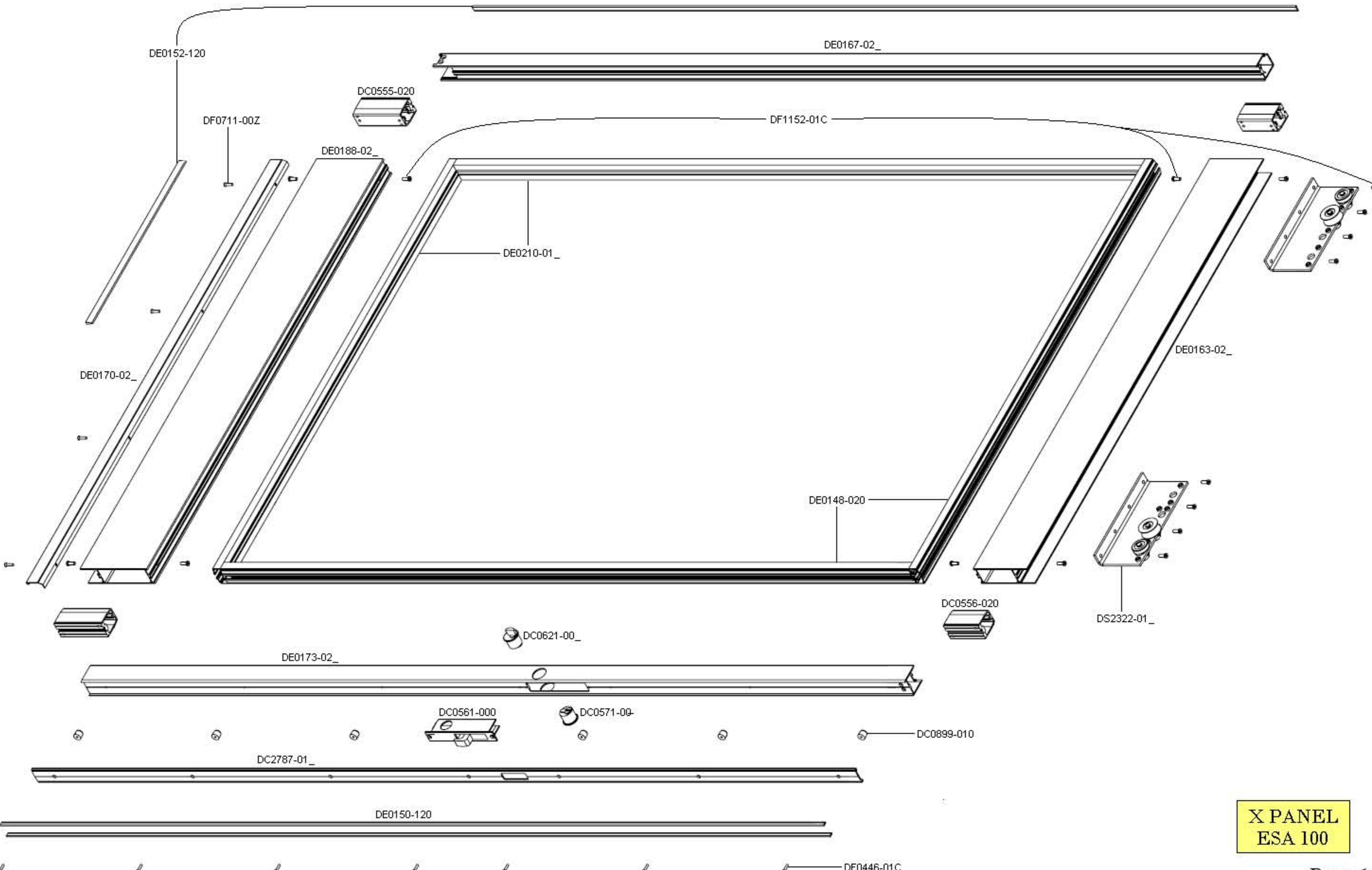


PART #	DESCRIPTION
DC0641-000	Drive Belt, ES-A - LL 8M STPD
DC0911-010	Clip, Header Track
DC0969-020	Wire Clips, Header (400MM)
DC0969-030	Wire Clips, Header (20MM)
DE0154-01D	Roller Track ES-A
DE0155-04_	Header Profile ES-A FB
DE0158-03_	Header Faceplate FB
DE0159-02_	Header Adapt FB
DE0185-01_	Header Filler
DE0207-010	Rubber Track Damper
DF1240-01Z	10-24X1/2 PH FL TYF ZN
DS0631-000	Lower Carrier Bracket
DS0632-000	Upper Carrier Bracket
DS0644-020	Faceplate Support
DS0645-000	Idler Pulley
DS0649-010	Motor/Gear Train/Bracket-3.3A
DS1026-010	Autolock Bracket
DS1133-010	Endstop Bumper-Round
DS2679-010	Header Bracket RH
DS2815-010	Mini Drive
DS2890-010	Battery Package Assembly
DS3091-010	Printed Switch Pilot Assembly
DX0476-000	BEA Eagle
DX0478-000	BEA Wizard
DX0824-010	Magnet Switch Assembly (not shown)
DX3010-010	Micro cell Beam Kit BEA
DC2845-010	ESAII Blue Tooth Adapter
DC2872-010	ESAII Service Key
DC2911-010	ESAII Tungsten E2 Handheld Program Device
DK3258-010	Magnetic Security Contact
DS0979-010	Autolock- Retro Kit (shown)
DS1238-010	Key Switch Panel - Jamb Mounted
DS2890-010	Battery Backup
DX0485-010	BEA Safety Beams
DX3065-010	Profusion Sensor - Black (2)
DX3065-01A	Profusion Sensor - Silver (2)
DX3206-010	ESAII Palm Pilot Service Key Cable 40"
DX3266-010	Optex 1-One Sensor (2)
DX3271-010	BEA Rain Guard
DX3271-020	Optex Rain Guard

Special Options

Special options are not shown

HEADER



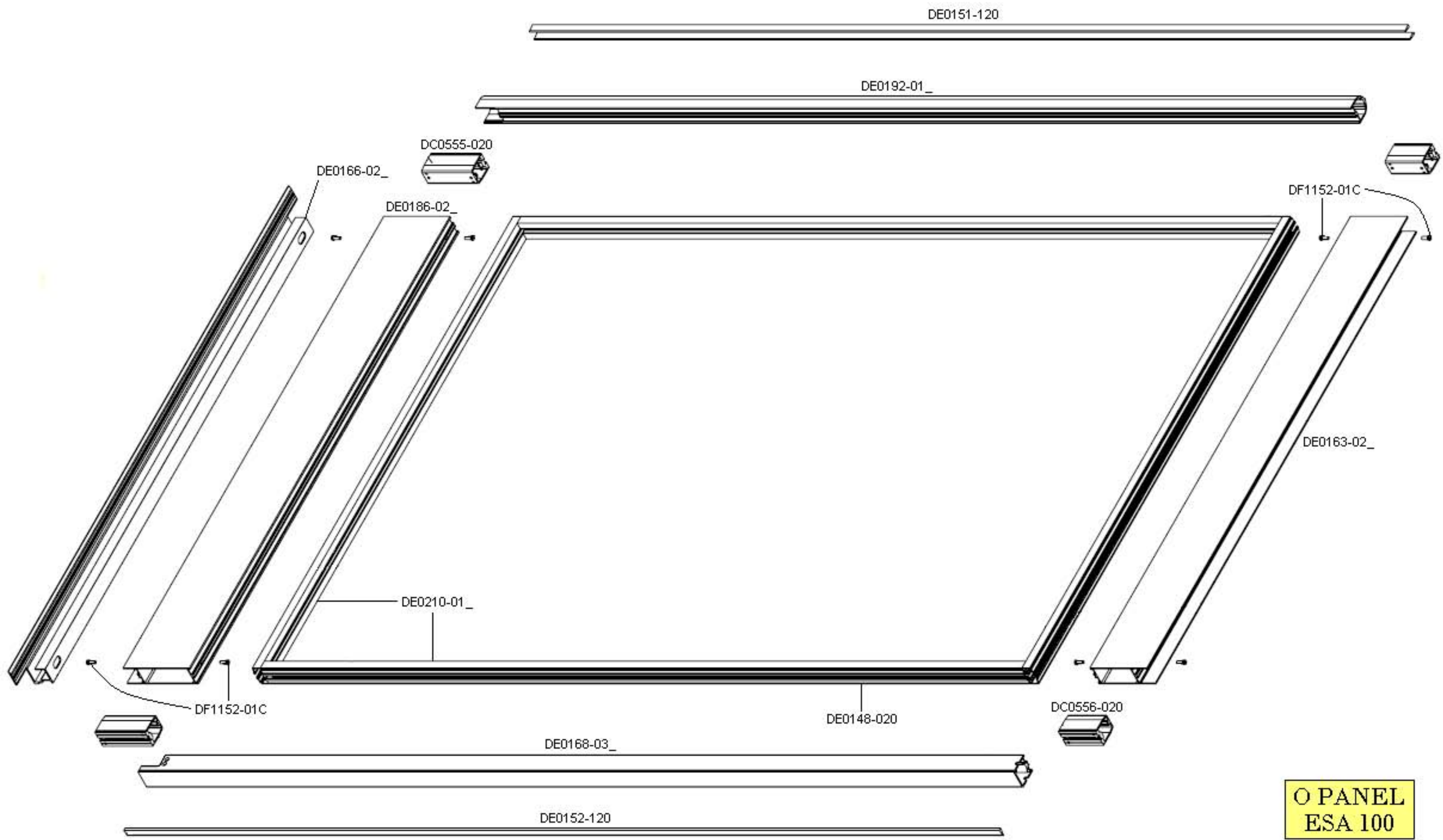
X PANEL
ESA 100

ESA-100 SLIDING DOOR OPERATOR



PART #	DESCRIPTION
DC0147-310	ITS-96 Door Closer (not shown)
DC0555-020	Shear Block with Set Screws
DC0556-020	Shear Block, Bottom - 3.555"
DC0561-000	Mortise Lock (MS Series HookBolt)
DC0571-00_	Lock Cylinder W/Key 1"
DC0621-00_	Lock Cylinder W/Thumbturn
DC0899-010	Grommet - Astragal Adjustment
DC0986-01X	Lock Indicator (not shown)
DC2057-010	Adams Rite 3 Point Mortise Lock (not shown)
DE0148-020	Glazing Bead (Vertical) & (Horizontal)
DE0150-120	Weatherstrip - SK2784 (8.4mm)
DE0152-120	Weatherstrip - SK27159 (15.9mm)
DE0163-02_	Top Rail - "X" Panel
DE0167-02_	"SX" Pivot Narrow Stile - LH - RH
DE0170-01_	Door Panel Floor Sweep
DE0173-02_	Lead Stile w/Lock
DE0174-02_	Lead Astragal w/Lock Prep
DE0188-02_	"FX" "SX" Bottom Rail
DE0210-01_	Glass Stop 1/4" (Vertical) & (Horizontal)
DE0211-01_	Glass Stop 1" (Vertical) & (Horizontal)
DF0446-01C	#8 X 3/4 Ph FH A S/Black
DF0711-00Z	10-24 X 3/4 Phillips Flat Head Metal screw
DF1152-01C	1/4-20 X 5/8" LHSCS - Black

X PANEL



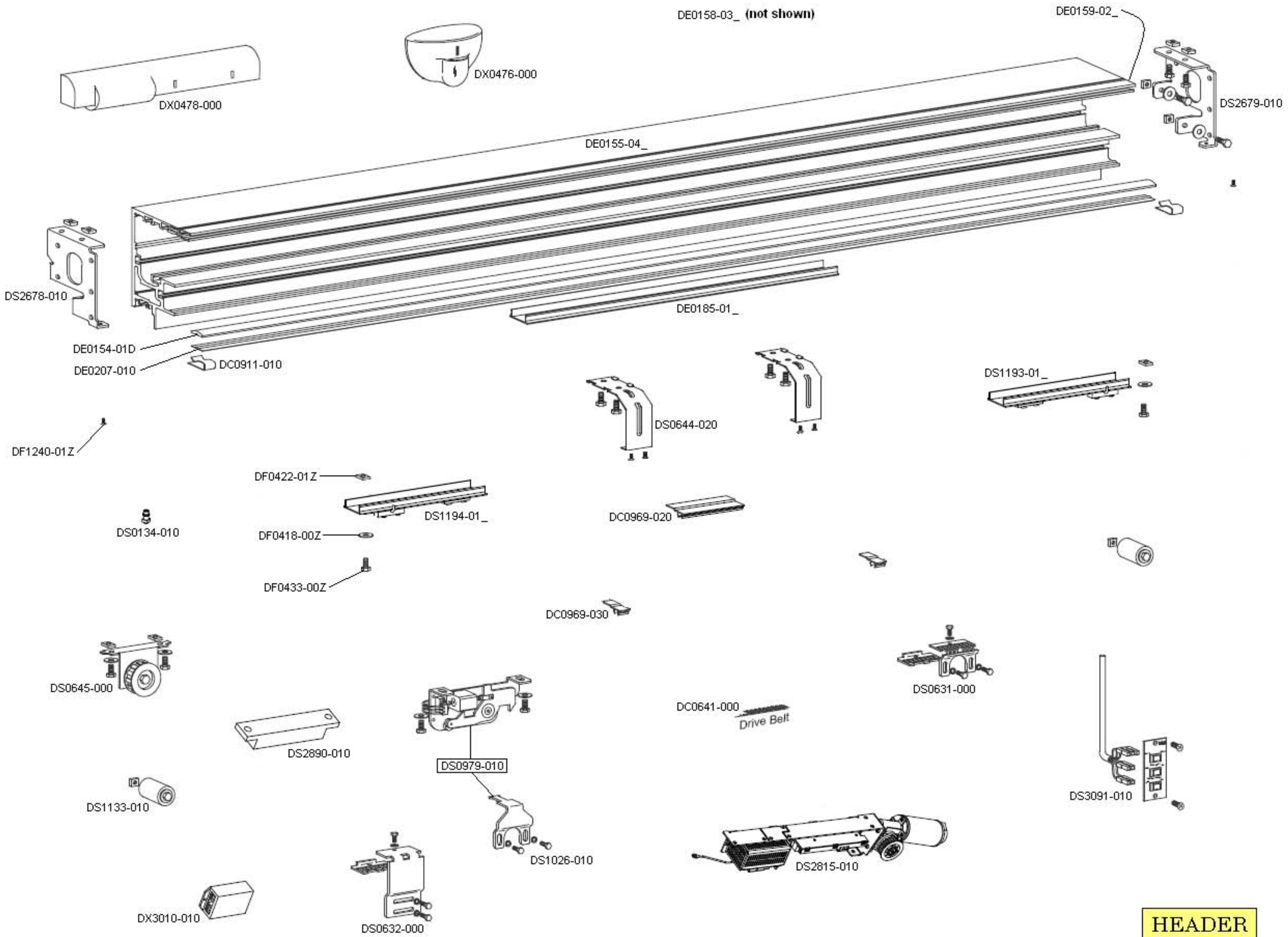
O PANEL
 ESA 100

ESA-100 SLIDING DOOR OPERATOR



PART #	DESCRIPTION
DC0555-020	Shear Block with Set Screws
DC0556-020	Shear Block with Set Screws
DE0148-020	Glazing Bead (Vertical) & (Horizontal)
DE0151-120	Weatherstrip - SK27134 (13.4 mm)
DE0152-120	Weatherstrip - SK27159 (15.9mm)
DE0163-02_	"O" Top Rail
DE0166-02_	O Panel Bottom Guide (LH & RH)
DE0168-03_	O Panel Interlock Rail Narrow Stile - LH
DE0186-02_	"O" Bottom Rail
DE0192-01_	"O" Pivot Stile - ESA200
DE0210-01_	Glass Stop 1/4" (Vertical) & (Horizontal)
DE0211-01_	Glass Stop 1" (Vertical) & (Horizontal)
DF1152-01C	1/4-20 X 5/8" LHSCS - Black

O PANEL



HEADER
ESA 200

ESA-200 SLIDING DOOR OPERATOR

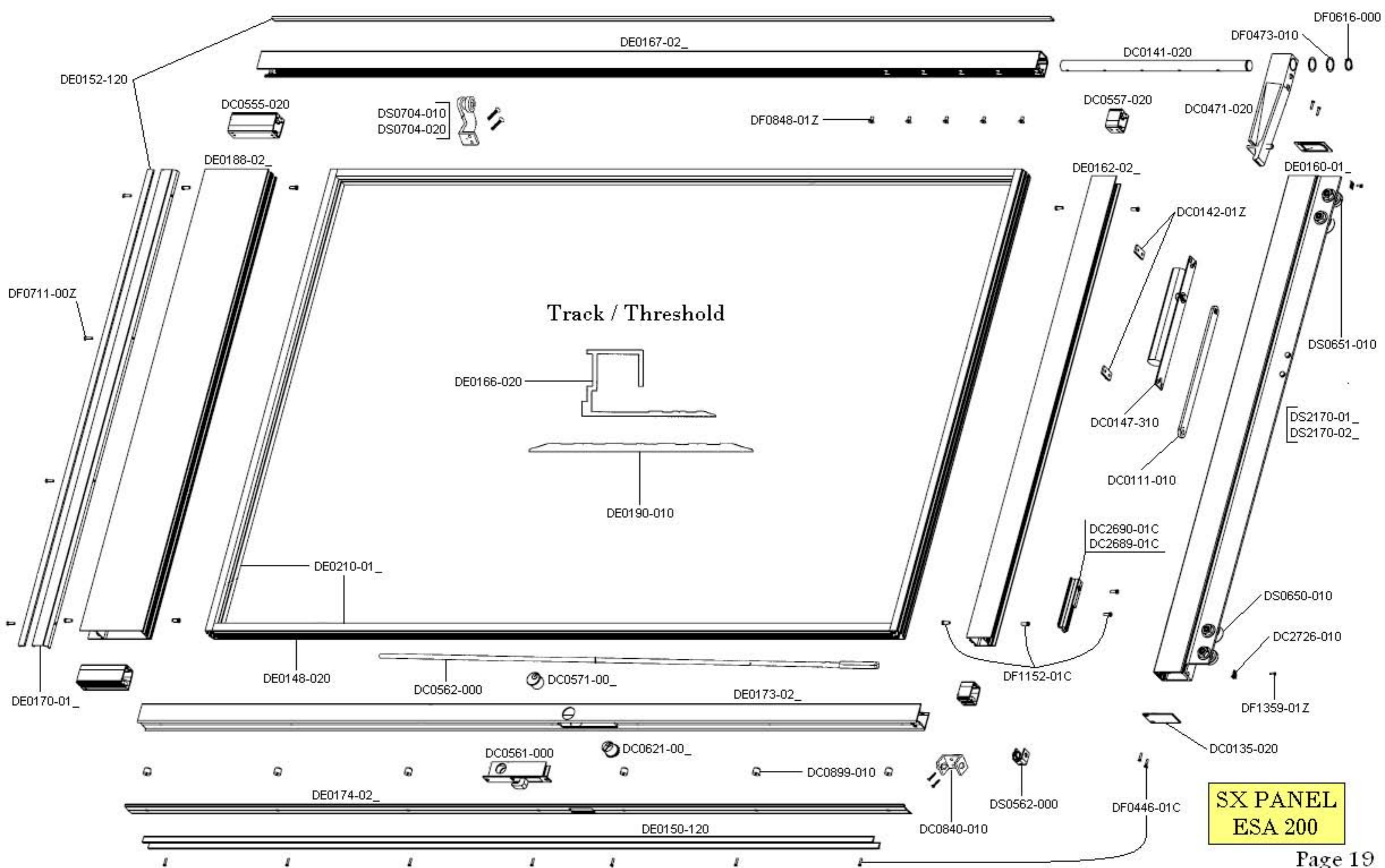


PART #	DESCRIPTION
DC0641-000	Drive Belt, ES-A - LL 8M STPD
DC0911-010	Clip, Header Track
DC0969-020	Wire Clips, Header (400MM)
DC0969-030	Wire Clips, Header (20MM)
DE0154-01D	Roller Track ES-A
DE0155-04_	Header Profile ES-A FB
DE0158-03_	Header Faceplate FB
DE0159-02_	Header Adapt FB
DE0185-01_	Header Filler
DE0207-010	Rubber Track Damper
DF0418-00Z	5/16 Medium Lock S/ZN
DF0422-01Z	5/16-18 Square ZN
DF0433-00Z	5/16-18X5/8 HX HD CS S/ZN
DF1240-01Z	10-24X1/2 PH FL TYF ZN
DS0631-000	Lower Carrier Bracket
DS0632-000	Upper Carrier Bracket
DS0644-020	Faceplate Support
DS0645-000	Idler Pulley
DS0649-010	Motor/Gear Train/Bracket-3.3A
DS1026-010	Autolock Bracket
DS1133-010	Endstop Bumper-Round
DS1193-01_	SO Magnet Rail SXSO
DS1194-01_	SO Magnet Rail SXSO
DS2679-010	Header Bracket RH
DS2815-010	Mini Drive
DS3091-010	Printed Switch Pilot Assembly
DX0476-000	BEA Eagle
DX0478-000	BEA Wizard
DX0824-010	Magnet Switch Assembly (not shown)
DX3010-010	Micro cell Beam Kit BEA
DC2845-010	ESAII Blue Tooth Adapter
DC2872-010	ESAII Service Key
DC2911-010	ESAII Tungsten E2 Handheld Program Device
DK3258-010	Magnetic Security Contact
DS0979-010	Autolock- Retro Kit (shown)
DS1238-010	Key Switch Panel - Jamb Mounted
DS2890-010	Battery Backup
DX0485-010	BEA Safety Beams
DX3065-010	Profusion Sensor - Black (2)
DX3065-01A	Profusion Sensor - Silver (2)
DX3206-010	ESAII Palm Pilot Service Key Cable 40"
DX3266-010	Optex 1-One Sensor (2)
DX3271-010	BEA Rain Guard
DX3271-020	Optex Rain Guard

Special Options

Special options are not shown

HEADER



**SX PANEL
ESA 200**

ESA-200 SLIDING DOOR OPERATOR



PART #	DESCRIPTION
DC0111-010	"SX" ITS 96 Arm 320mm
DC0135-020	Carrier End Cap Plastic w/ Mounting Holes
DC0141-020	SX Pivot Shaft
DC0142-01Z	ITS-96 Shim Block
DC0147-310	ITS 96 Closer (ANSE1-3) with UL Listing
DC0471-020	ESA Carrier Pivot Arm
DC0555-020	Shear Block with Set Screws
DC0557-020	Shear Block with Set Screws
DC0561-000	Mortise Lock (MS Series HookBolt)
DC0562-000	Threshold Bolt
DC0571-00_	Lock Cylinder W/Key 1"
DC0621-00_	Lock Cylinder W/Thumbturn
DC0840-010	Lock Rod
DC0899-010	Grommet - Astragal Adjustment
DC0986-01X	Lock Indicator (not shown)
DC2057-010	Adams Rite 3 Point Mortise Lock (not shown)
DC2689-01C	SX Breakout Profile Bottom LH
DC2690-01C	SX Breakout Profile Bottom RH
DC2726-010	Carrier End Cap Top Clip
DE0148-020	Glazing Bead (Vertical) & (Horizontal)
DE0150-120	Weatherstrip - SK2784 (8.4mm)
DE0152-120	Weatherstrip - SK27159 (15.9mm)
DE0160-01_	Bracket, SX Carrier
DE0162-02_	SX Top Rail With Closer - LH - RH
DE0166-020	Bottom Track
DE0167-02_	"SX" Pivot Narrow Stile - LH - RH
DE0170-01_	Door Panel Floor Sweep
DE0173-02_	SX Lead Rail
DE0174-02_	Lead Astragal w/Lock Prep
DE0188-02_	"FX" "SX" Bottom Rail
DE0190-010	Threshold 1/8" X 3 1/4" Mill
DE0210-01_	Glass Stop 1/4" (Vertical) & (Horizontal)
DE0211-01_	Glass Stop 1" (Vertical) & (Horizontal)

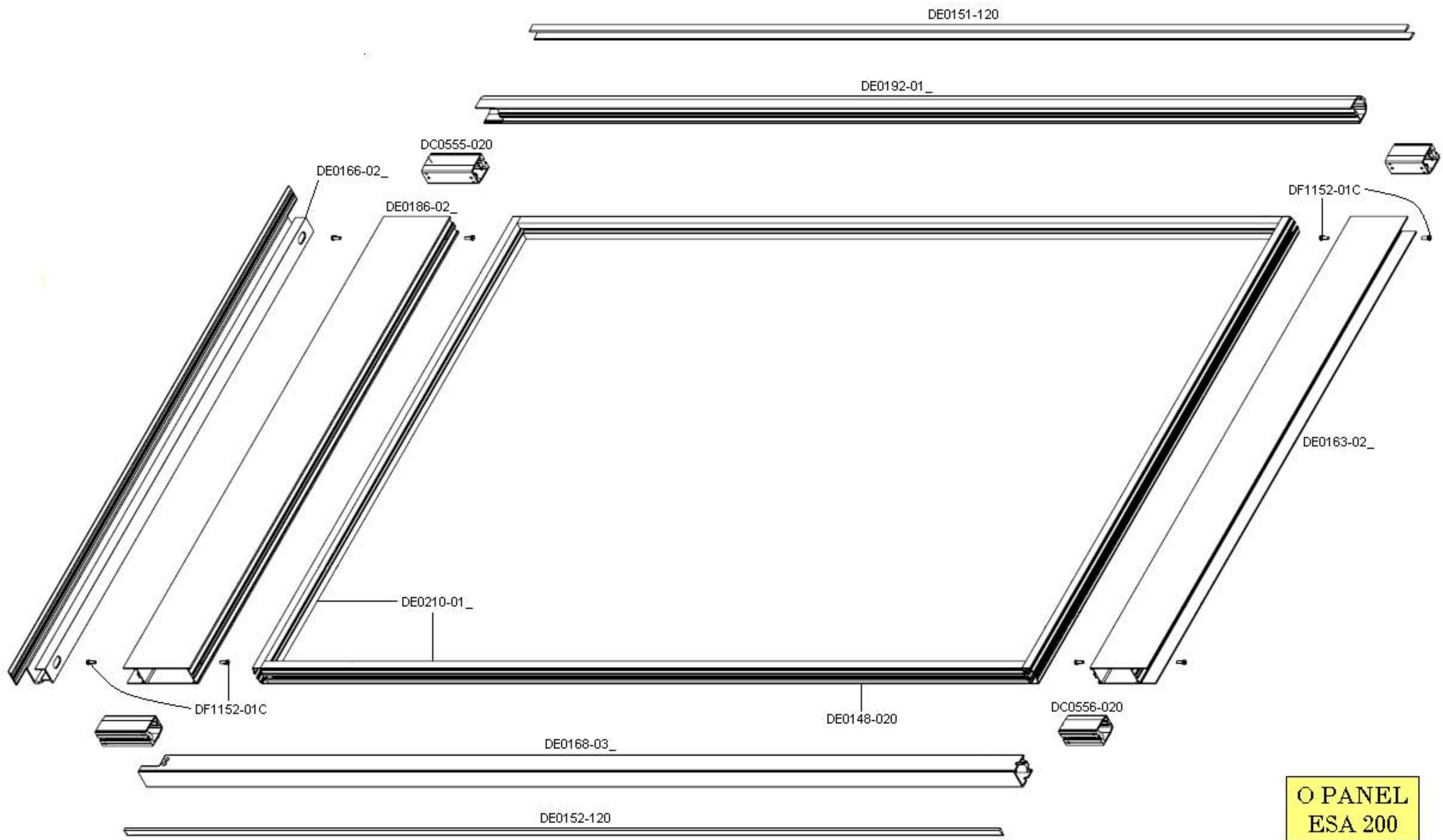
SX PANEL

ESA-200 SLIDING DOOR OPERATOR



PART #	DESCRIPTION
DF0446-01C	#8 X 3/4 Ph FH A S/Black
DF0473-010	Washer - SX Pivot Shaft
DF0616-000	Snap Ring - 1"
DF0711-00Z	10-24 X 3/4 Phillips Flat Head Metal screw
DF0848-01Z	1/4-20 X 1/2 FH Soc MS - Zinc
DF1152-01C	1/4-20 X 5/8" LHSCS - Black
DF1359-01Z	8-32 X 1/2 Ph FH A S - zinc
DS0562-000	Bracket - Thresh Bolt
DS0650-010	Drive Wheel Assembly
DS0651-010	Offset Wheel Assembly
DS0704-010	Bottom Guide Assembly LH
DS0704-020	Bottom Guide Assembly RH
DS1120-010	Breakout Assembly LH (not shown)
DS1121-010	Breakout Assembly RH (not shown)
DS2170-01_	Carrier Assembly - LH (SO-SX)
DS2170-02_	Carrier Assembly - RH (SX-SO)

SX PANEL (2)



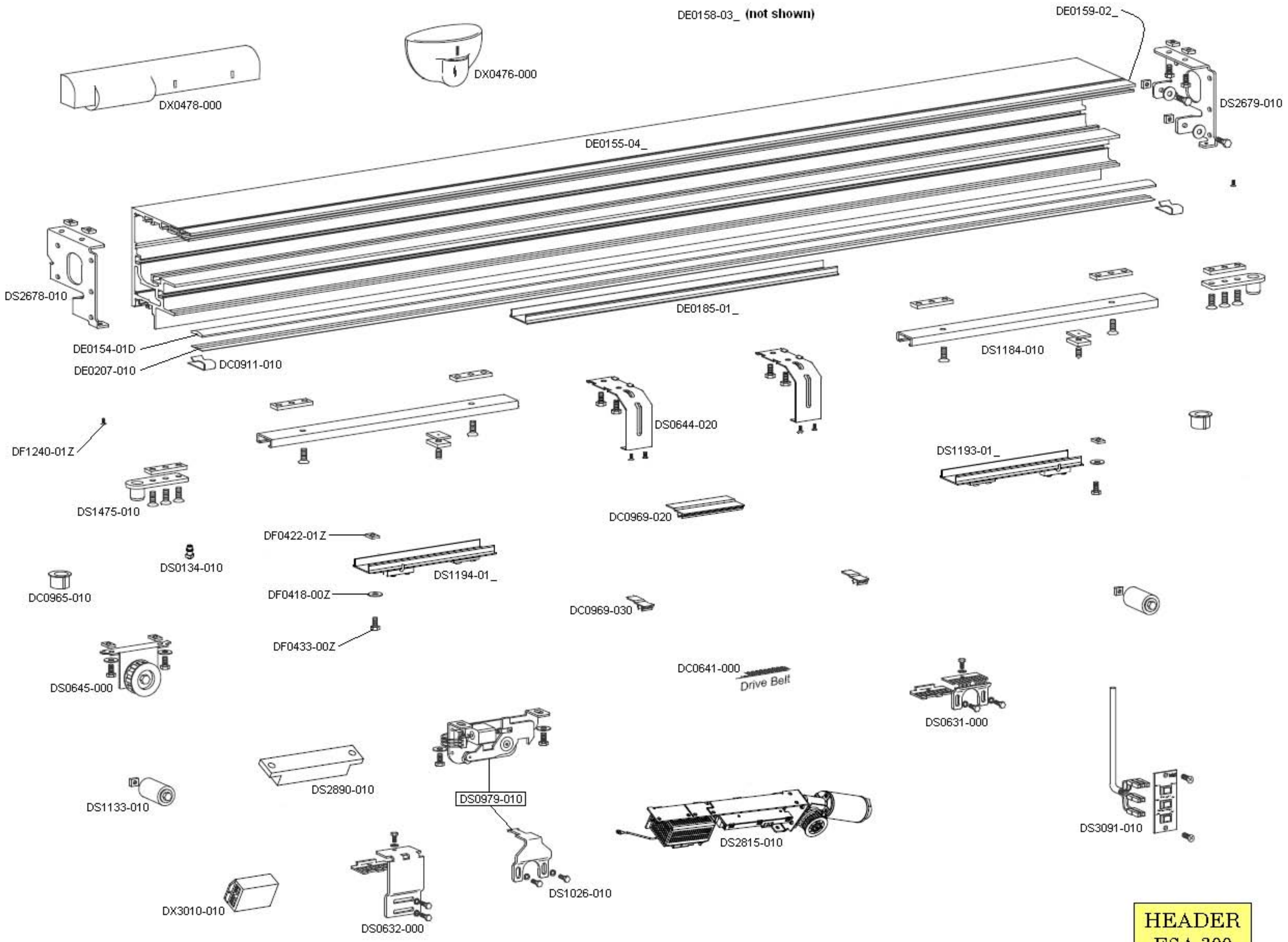
O PANEL
 ESA 200

ESA-200 SLIDING DOOR OPERATOR



PART #	DESCRIPTION
DC0555-020	Shear Block with Set Screws
DC0556-020	Shear Block with Set Screws
DE0148-020	Glazing Bead (Vertical) & (Horizontal)
DE0151-120	Weatherstrip - SK27134 (13.4 mm)
DE0152-120	Weatherstrip - SK27159 (15.9mm)
DE0163-02_	"O" Top Rail
DE0166-02_	O Panel Bottom Guide (LH & RH)
DE0168-03_	O Panel Interlock Rail Narrow Stile - LH
DE0186-02_	"O" Bottom Rail
DE0192-01_	"O" Pivot Stile - ESA200
DE0210-01_	Glass Stop 1/4" (Vertical) & (Horizontal)
DE0211-01_	Glass Stop 1" (Vertical) & (Horizontal)
DF1152-01C	1/4-20 X 5/8" LHSCS - Black

O PANEL



**HEADER
ESA 300**

ESA-300 SLIDING DOOR OPERATOR

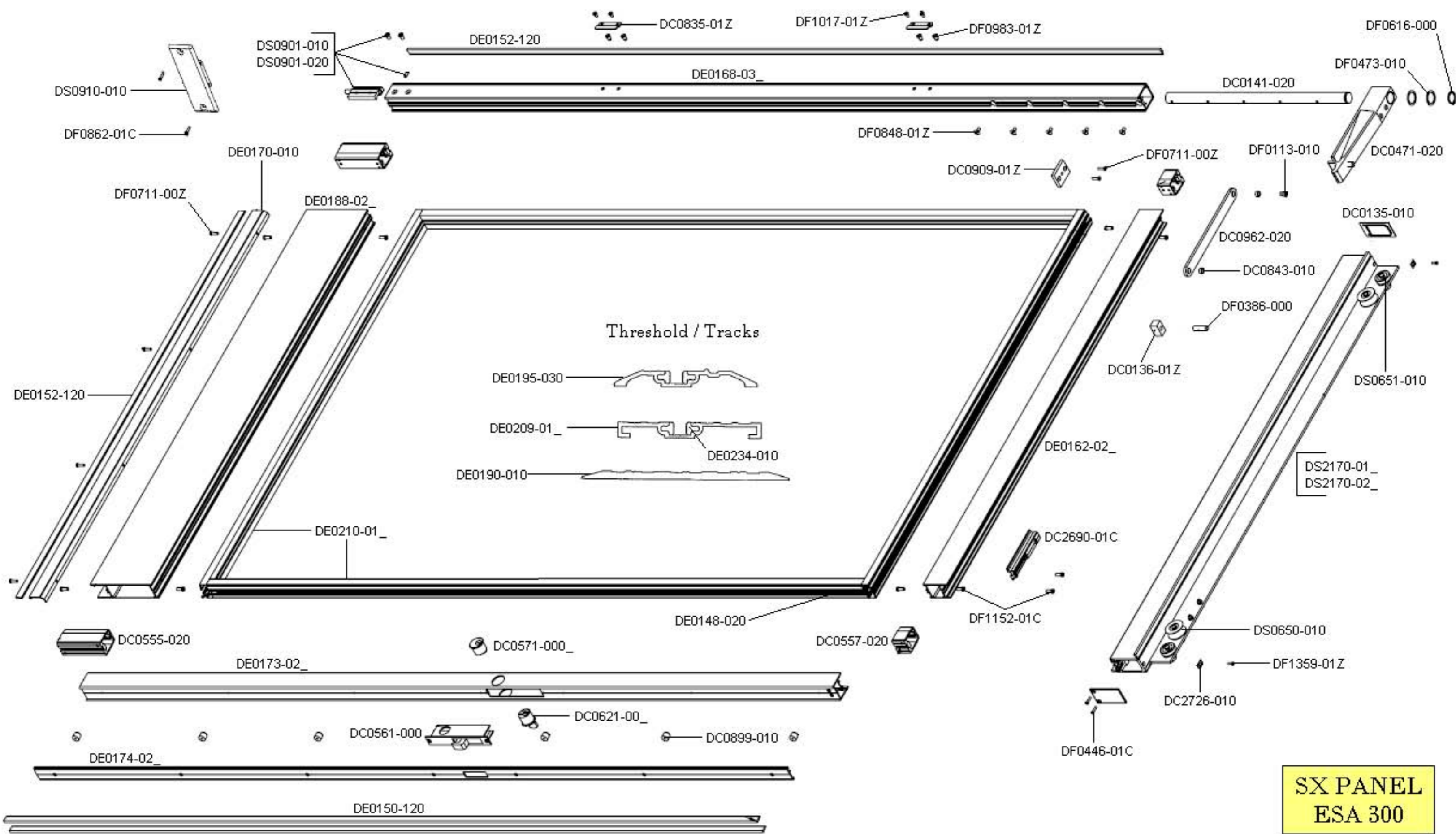


PART #	DESCRIPTION
DC0641-000	Drive Belt, ES-A - LL 8M STPD
DC0911-010	Clip, Header Track
DC0965-010	Bushing, SO Eccentric Pivot
DC0969-020	Wire Clips, Header (400MM)
DC0969-030	Wire Clips, Header (20MM)
DE0154-01D	Roller Track ES-A
DE0155-04_	Header Profile ES-A FB
DE0158-03_	Header Faceplate FB
DE0159-02_	Header Adapt FB
DE0185-01_	Header Filler
DE0207-010	Rubber Track Damper
DF0418-00Z	5/16 Medium Lock S/ZN
DF0422-01Z	5/16-18 Square ZN
DF0433-00Z	5/16-18X5/8 HX HD CS S/ZN
DF1240-01Z	10-24X1/2 PH FL TYF ZN
DS0631-000	Lower Carrier Bracket
DS0632-000	Upper Carrier Bracket
DS0644-020	Faceplate Support
DS0645-000	Idler Pulley
DS0649-010	Motor/Gear Train/Bracket-3.3A
DS1026-010	Autolock Bracket
DS1133-010	Endstop Bumper-Round
DS1184-010	SO Top Slide Track
DS1193-01_	SO Magnet Rail SXSO
DS1194-01_	SO Magnet Rail SXSO
DS1475-010	SO Top Pivot
DS2679-010	Header Bracket RH
DS2815-010	Mini Drive
DS3091-010	Printed Switch Pilot Assembly
DX0476-000	BEA Eagle
DX0478-000	BEA Wizard
DX0824-010	Magnet Switch Assembly (not shown)
DX3010-010	Microcell Beam Kit BEA
DC2845-010	ESAll Blue Tooth Adapter
DC2872-010	ESAll Service Key
DC2911-010	ESAll Tungsten E2 Handheld Program Device
DK3258-010	Magnetic Security Contact
DS0979-010	Autolock- Retro Kit (shown)
DS1238-010	Key Switch Panel - Jamb Mounted
DS2890-010	Battery Backup
DX0485-010	BEA Safety Beams
DX3065-010	Profusion Sensor - Black (2)
DX3065-01A	Profusion Sensor - Silver (2)
DX3206-010	ESAll Palm Pilot Service Key Cable 40"
DX3266-010	Optex 1-One Sensor (2)
DX3271-010	BEA Rain Guard
DX3271-020	Optex Rain Guard

Special Options

Special options are not shown

HEADER



**SX PANEL
 ESA 300**

ESA-300 SLIDING DOOR OPERATOR



PART #	DESCRIPTION
DC0135-020	Carrier End Cap Plastic w/ Mounting Holes
DC0136-01Z	Adjustment Block - Carrier Arm
DC0141-020	SX Pivot Shaft
DC0147-310	ITS-96 Door Closer (not shown)
DC0471-020	ESA Carrier Pivot Arm
DC0555-020	Shear Block, Bottom - 4.783"
DC0557-020	Shear Block, Top - 1.374"
DC0561-000	Mortise Lock (MS Series HookBolt)
DC0571-00_	Lock Cylinder W/Key 1"
DC0621-00_	Lock Cylinder w/Thumbturn
DC0835-01Z	Interlock Clip
DC0843-010	Limit Arm Bushing
DC0899-010	Grommet - Astragal Adjustment
DC0909-01Z	SO Arm mounting block - Top
DC0962-020	Limit Arm - 250mm
DC0986-01X	Lock Indicator (not shown)
DC2057-010	Adams Rite 3 Point Mortise Lock (not shown)
DC2689-01C	SX Breakout Profile Bottom LH
DC2690-01C	SX Breakout Profile Bottom RH
DC2726-010	Carrier End Cap Top Clip - Black
DE0148-020	Glazing Bead (Vertical) & (Horizontal)
DE0150-120	Weatherstrip - SK2784 (8.4mm)
DE0152-120	Weatherstrip - SK27159 (15.9mm)
DE0162-02_	SX Top Rail - LH - RH
DE0168-03_	Pivot Interlock Stile SX - LH - RH
DE0170-010	Door Panel Floor Sweep
DE0173-02_	Lead Stile w/Lock
DE0174-02_	Lead Astragal w/Lock Prep
DE0188-02_	"FX" "SX" Bottom Rail
DE0190-010	Threshold 1/8" X 3 1/4" Mill
DE0195-030	Bottom Track FBO
DE0209-01_	Recessed Bottom Track FBO
DE0210-01_	Glass Stop 1/4" (Vertical) & (Horizontal)
DE0211-01_	Glass Stop 1" (Vertical) & (Horizontal)
DE0234-010	Track Cap Bottom Guide

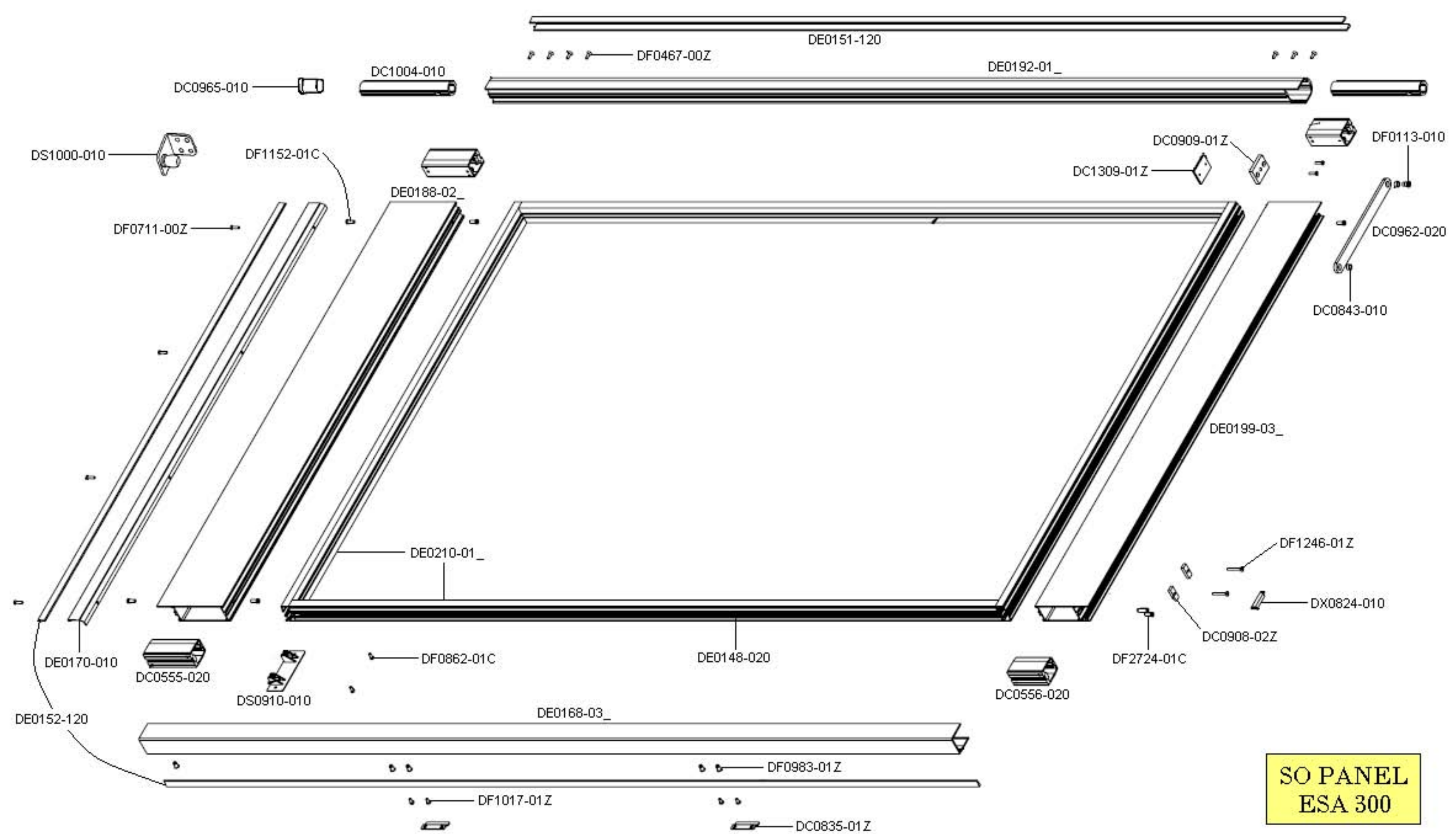
SX PANEL

ESA-300 SLIDING DOOR OPERATOR



PART #	DESCRIPTION
DF0113-010	Limit Arm Screw
DF0386-000	7/16-14 X 1" Socket Set Screw Cup Pt
DF0446-01C	#8 X 3/4 Ph FH A S/Black
DF0473-010	Washer - SX Pivot Shaft
DF0616-000	Snap Ring - 1"
DF0711-00Z	10-24 X 3/4 Phillips Flat Head Sheet Metal screw
DF0848-01Z	1/4-20 X 1/2 FH Soc MS - Zinc
DF0862-01C	10-24X1/2 PH FL BLK
DF0983-01Z	10-24 Steel Open End Flanged Rivnut
DF1017-01Z	Screw - 10-24 X 3/8 PHL PNH MS ZINC
DF1152-01C	1/4-20 X 5/8" LHSCS - Black
DF1359-01Z	8-32 X 1/2 Ph FH A S - zinc
DS0650-010	Drive Wheel Assembly
DS0651-010	Offset Wheel Assembly
DS0901-010	SX Bottom Pivot Assembly
DS0901-020	SX Bottom Pivot Assembly
DS0910-010	Bottom Latch Assembly
DS1120-010	Breakout Assembly LH (not shown)
DS1121-010	Breakout Assembly RH (not shown)
DS2170-01_	Carrier Assembly - LH (SO-SX)
DS2170-02_	Carrier Assembly - RH (SX-SO)
DS2915-010	Breakout Assembly, Adams Rite LH (not shown)
DS2915-020	Breakout Assembly, Adams Rite RH (not shown)

SX PANEL (2)



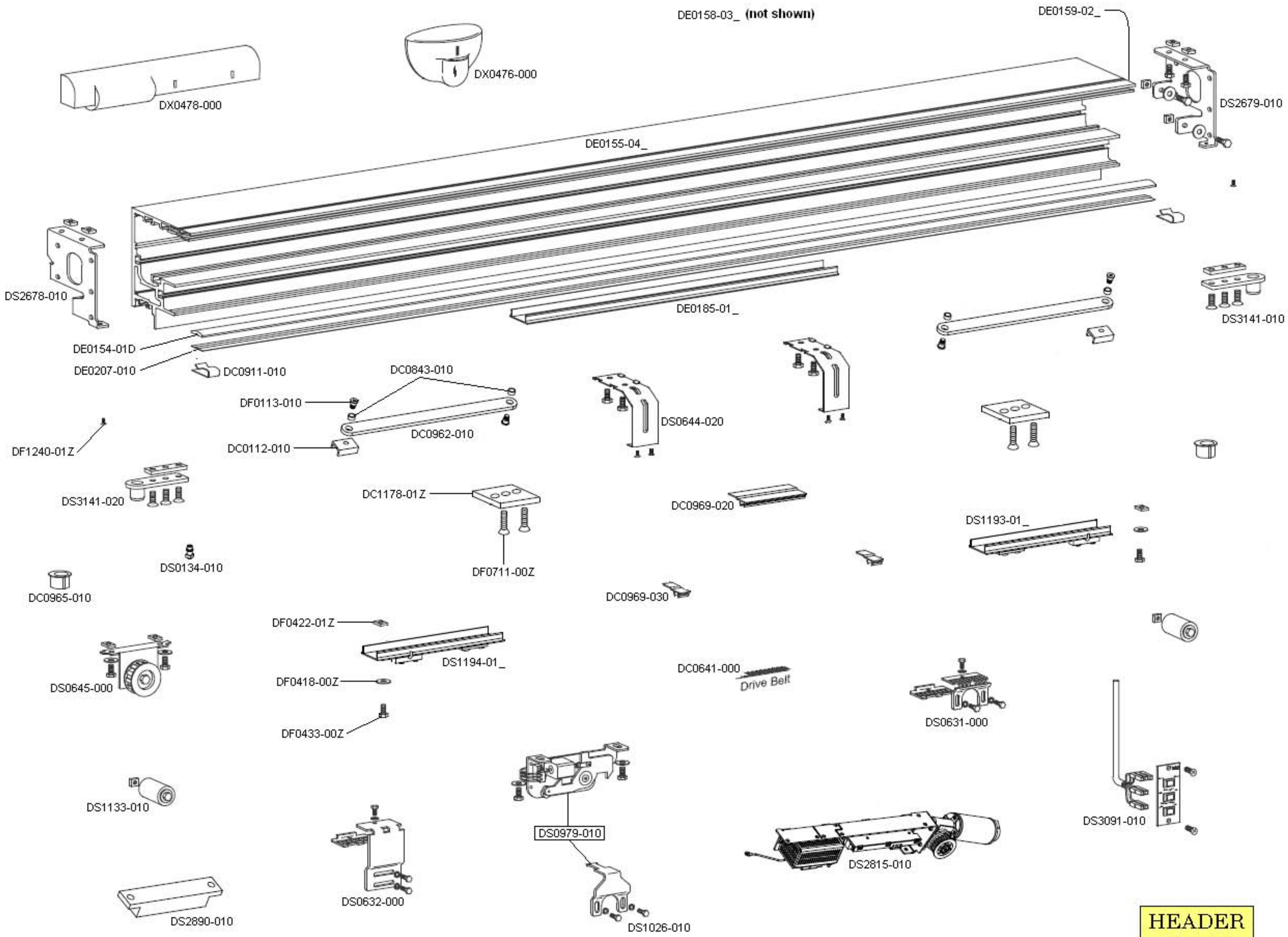
SO PANEL
ESA 300

ESA-300 SLIDING DOOR OPERATOR



PART #	DESCRIPTION
DC0146-010	Spring Detent Latch Assembly
DC0555-020	Shear Block, Bottom - 4.783"
DC0556-020	Shear Block, Bottom - 3.555"
DC0835-01Z	ESA300 Interlock Clip
DC0843-010	Limit Arm Bushing
DC0908-02Z	SO Top Latch Spacer Block - 1/4"
DC0909-01Z	SO Arm mounting block - Top
DC0962-020	Limit Arm - 250mm
DC0965-010	Eccentric Pivot Bushing
DC1004-010	SO Pivot shaft-Combo
DC1309-01Z	SO Arm mounting block
DE0148-020	Glazing Bead (Vertical) & (Horizontal)
DE0151-120	Weatherstrip - SK27134 (13.4 mm)
DE0152-120	Weatherstrip - SK27159 (15.9mm)
DE0168-03_	SO Interlock Rail Narrow Style - LH - RH
DE0170-010	Door Panel Floor Sweep
DE0188-02_	SO Bottom Rail - LH - RH
DE0192-01_	SO Pivot Stile
DE0199-03_	SO Top Rail - LH - RH
DE0210-01_	Glass Stop 1/4" (Vertical) & (Horizontal)
DE0211-01_	Glass Stop 1" (Vertical) & (Horizontal)
DF0113-010	Limit Arm Screw
DF0467-00Z	10-24 X 5/8 SOC HD Flat Head Screw ZINC
DF0711-00Z	10-24 X 3/4 Phillips Flat Head Sheet Metal screw
DF0862-01C	10-24 X 1/2 Phillips Flat Head Screw
DF0983-01Z	10-24 Steel Open End Flanged Rivnut
DF1017-01Z	Screw - 10-24 X 3/8 PHL PNH MS ZINC
DF1152-01C	1/4-20 X 5/8" LHSCS - Black
DF1246-01Z	10-24 X 1 1/2 FL HD SOC CS ZINC
DF2724-01C	Screw - 3/8-16 X 1" socket set screw w/nylon tip
DS0910-010	SO Bottom Latch Assembly side panel
DS1000-010	Bottom Pivot Assembly
DX0824-010	Magnet Switch Assembly

SO PANEL



HEADER
ESA 400

ESA-400 SLIDING DOOR OPERATOR

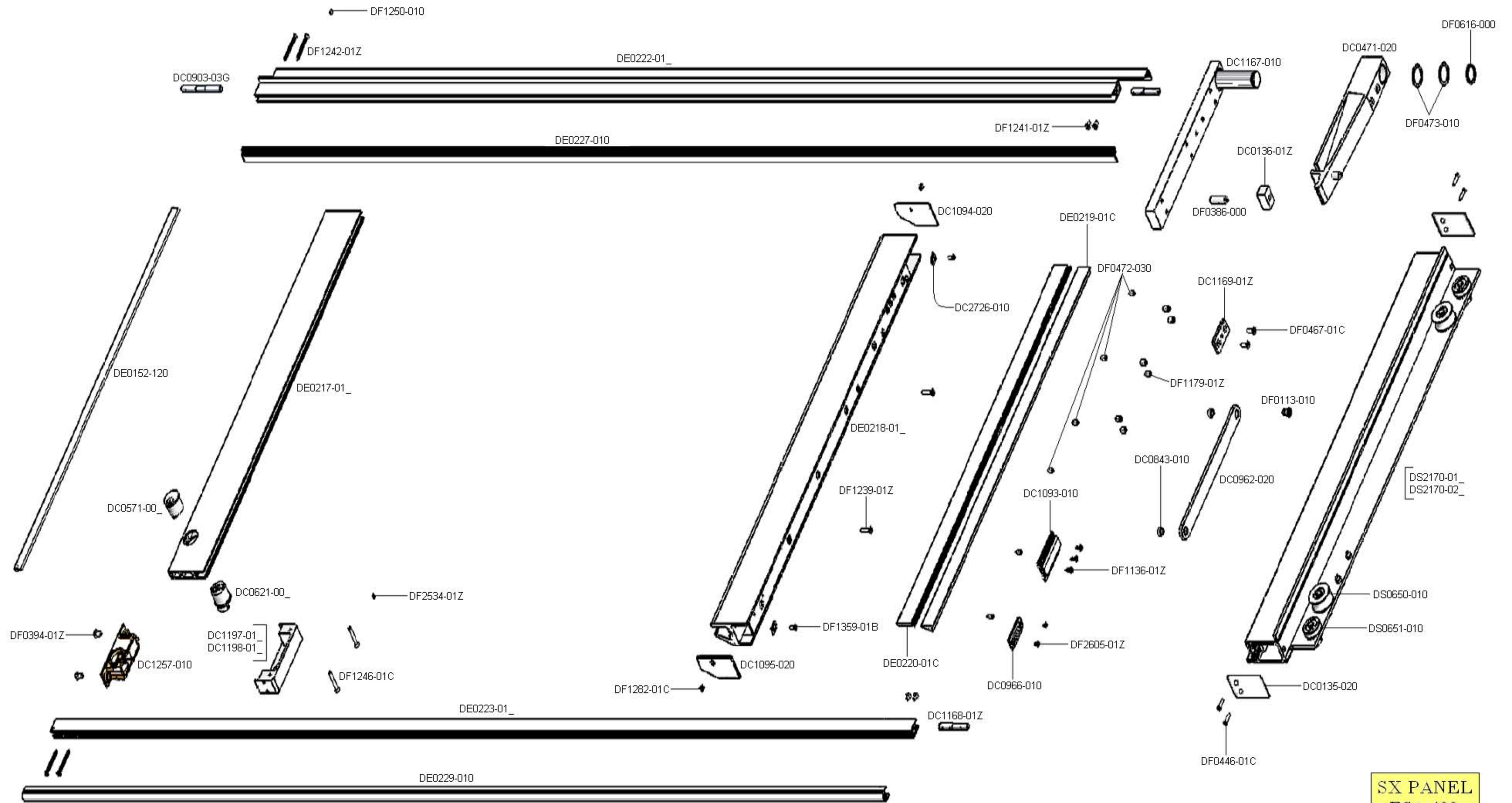


PART #	DESCRIPTION
DC0112-010	Slide Piece ITS
DC0641-000	Drive Belt, ES-A - LL 8M
DC0843-010	Bushing - SO Arm
DC0911-010	Clip, Header Track
DC0962-010	Limit Arm, SO 320MM
DC0965-010	Bushing, SO Eccentric Pivot
DC0969-020	Wire Clips, Header (400MM)
DC0969-030	Wire Clips, Header (20MM)
DC1178-01Z	Block, SO Arm MTG - FF
DE0154-01D	Roller Track ES-A
DE0155-04_	Header Profile ES-A FB
DE0158-03_	Header Faceplate FB
DE0159-02_	Header Adapt FB
DE0185-01_	Header Filler
DE0207-010	Rubber Track Damper
DF0113-010	M8 X 1 ITS Arm Screw
DF0418-00Z	5/16 Medium Lock S/ZN
DF0422-01Z	5/16-18 Square ZN
DF0433-00Z	5/16-18X5/8 HX HD CS S/ZN
DF0711-00Z	10-24 X 3/4 PH FLH TYF ZN
DF1240-01Z	10-24X1/2 PH FL TYF ZN
DS0631-000	Lower Carrier Bracket
DS0632-000	Upper Carrier Bracket
DS0644-020	Faceplate Support
DS0645-000	Idler Pulley
DS0649-010	Motor/Gear Train/Bracket
DS1026-010	Autolock Bracket
DS1133-010	Endstop Bumper-Round
DS1193-01_	SO Magnet Rail SXSO
DS1194-01_	SO Magnet Rail SXSO
DS2679-010	Header Bracket RH
DS2815-010	Mini Drive
DS3091-010	Printed Switch Pilot Assembly
DS3141-010	SO Top Pivot RH
DS3141-020	SO Top Pivot LH
DX0476-000	BEA Eagle
DX0478-000	BEA Wizard
DX0824-010	Magnet Switch Assembly (not shown)
DC2845-010	ESAll Blue Tooth Adapter
DC2872-010	ESAll Service Key
DC2911-010	ESAll Tungsten E2 Handheld Program Device
DK3258-010	Magnetic Security Contact
DS0979-010	Autolock- Retro Kit (shown)
DS1238-010	Key Switch Panel - Jamb Mounted
DS2890-010	Battery Backup
DX0485-010	BEA Safety Beams
DX3065-010	Profusion Sensor - Black (2)
DX3065-01A	Profusion Sensor - Silver (2)
DX3206-010	ESAll Palm Pilot Service Key Cable 40"
DX3266-010	Optex 1-One Sensor (2)
DX3271-010	BEA Rain Guard
DX3271-020	Optex Rain Guard

Special Options

Special options are not shown

HEADER



SX PANEL
ESA 400

ESA-400 SLIDING DOOR OPERATOR



PART #	DESCRIPTION
DC0135-020	Carrier End Cap Plastic w/ Mounting Holes
DC0136-01Z	Adjustment Block - Carrier Arm
DC0147-310	ITS-96 Door Closer (not shown)
DC0471-020	ESA Carrier Pivot Arm
DC0571-00_	Lock Cylinder W/Key 1"
DC0621-00_	Lock Cylinder W/Thumbturn
DC0843-010	Limit Arm Bushing
DC0903-03G	SX Bottom Guide Shaft
DC0962-020	Limit Arm - 250mm
DC0966-010	Latch Stop, "SO" Lower
DC0986-01X	Lock Indicator (not shown)
DC1093-010	"SX" Door Breakout Bracket
DC1094-020	Top Rail End Cap (LH)
DC1095-020	Top Rail End Cap (RH)
DC1167-010	"SX" Pivot Arm FF
DC1168-01Z	"SX" Pivot Arm Connector
DC1169-01Z	"SX" Arm Block
DC1197-01_	Lock Housing SO-SX
DC1198-01_	Lock Housing SX-SO
DC1257-010	Lock Body W/Out Cylinders
DC2057-010	Adams Rite 3 Point Mortise Lock (not shown)
DC2726-010	Carrier End Cap Top Clip
DE0152-120	Weatherstrip - SK27159 (15.9mm)
DE0217-01_	Bottom Rail
DE0218-01_	"SX" Top Rail
DE0219-01C	Clamping Wedge
DE0220-01C	Extrusion - Comp. Rail "SX" Panel
DE0222-01_	Interlock Stile (LH)
DE0223-01_	"SX" Lead Stile
DE0227-010	Interlock Gasket
DE0229-010	Closing edge gasket, Convex

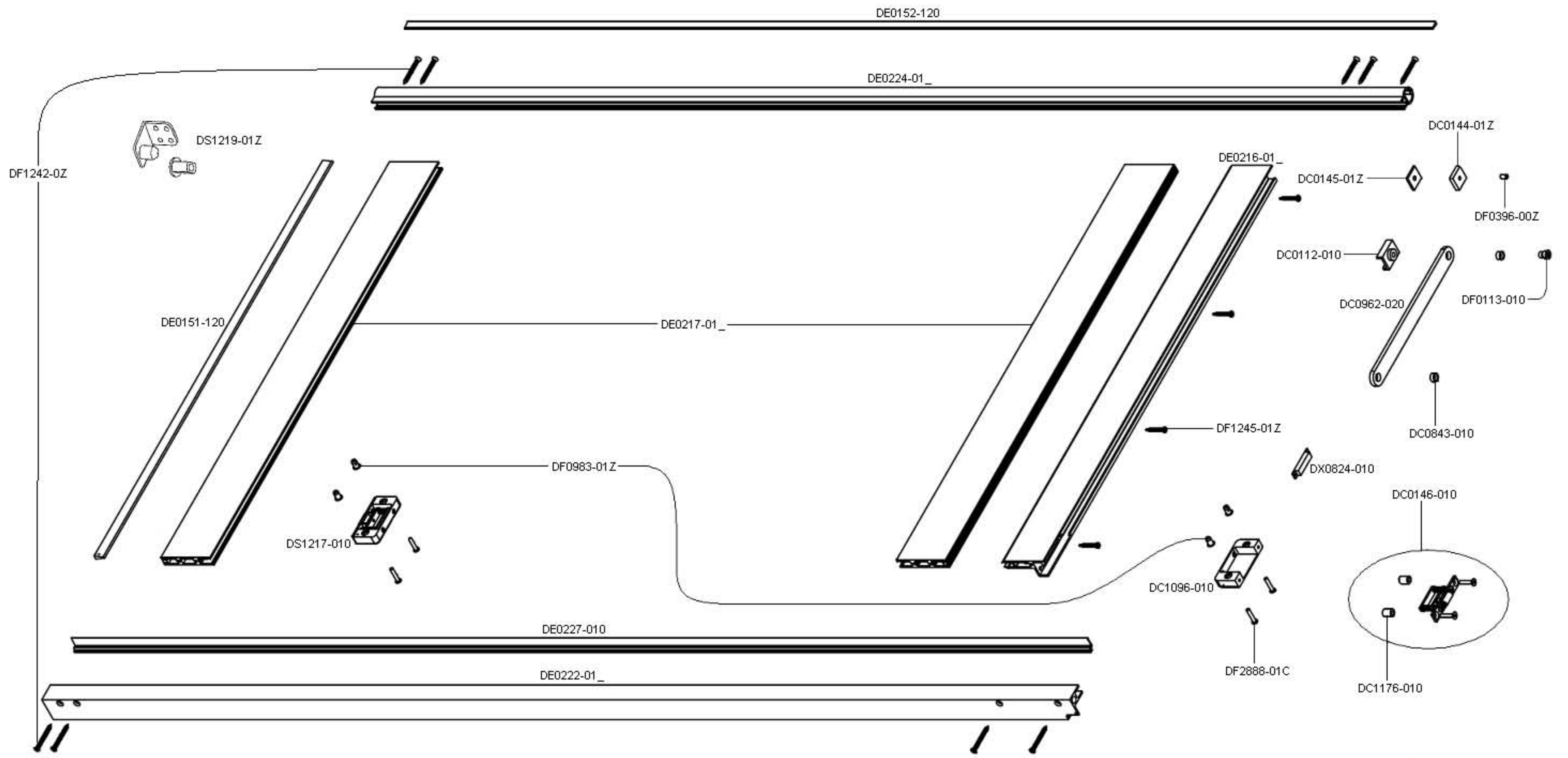
SX PANEL

ESA-400 SLIDING DOOR OPERATOR



PART #	DESCRIPTION
DF0113-010	Limit Arm Screw
DF0386-000	7/16-14 X 1" Socket Set Screw Cup
DF0394-01Z	1/4-20 X 1/2 Ph UNC FH MS Zinc
DF0446-01C	#8 X 3/4 Ph FH A S/Black
DF0467-01C	10-24 X 5/8" Socket Flat Head Black
DF0472-030	1/4-20 X 1/2 Socket Set Screw Full Dog Pt
DF0473-010	Washer - SX Pivot Shaft
DF0616-000	Snap Ring - 1"
DF1136-01Z	8-18 X 1/2 PH PN Self Taping Screw
DF1179-01Z	5/16-18 X 1/2 Sock Set Screw Cup Point
DF1239-01Z	10-24 X 1" FL HD SOC CS ZINC, Screw
DF1241-01Z	10-24 X 3/8 FH SKT HD Screw
DF1242-01Z	10 X 2 PH FL TY AB
DF1246-01C	10-24 X 1-1/2 Flat Head Socket Cap Screw - Black
DF1250-010	1/4-20 X 1/4 Cup Point Set Screw w/Patch
DF1282-01C	10-32 X 1/4 PH FL HD
DF1359-01B	8-32 X 1/2 PH FL HD MS DB
DF2534-01Z	Rivet, Spiral Cut FF
DF2605-01Z	#8 X 3/8 PH FL HD Self Taping Screw
DS0650-010	Drive Wheel Assembly
DS0651-010	Offset Wheel Assembly
DS2170-01_	Carrier Assembly - LH (SO-SX)
DS2170-02_	Carrier Assembly - RH (SX-SO)

SX PANEL (2)



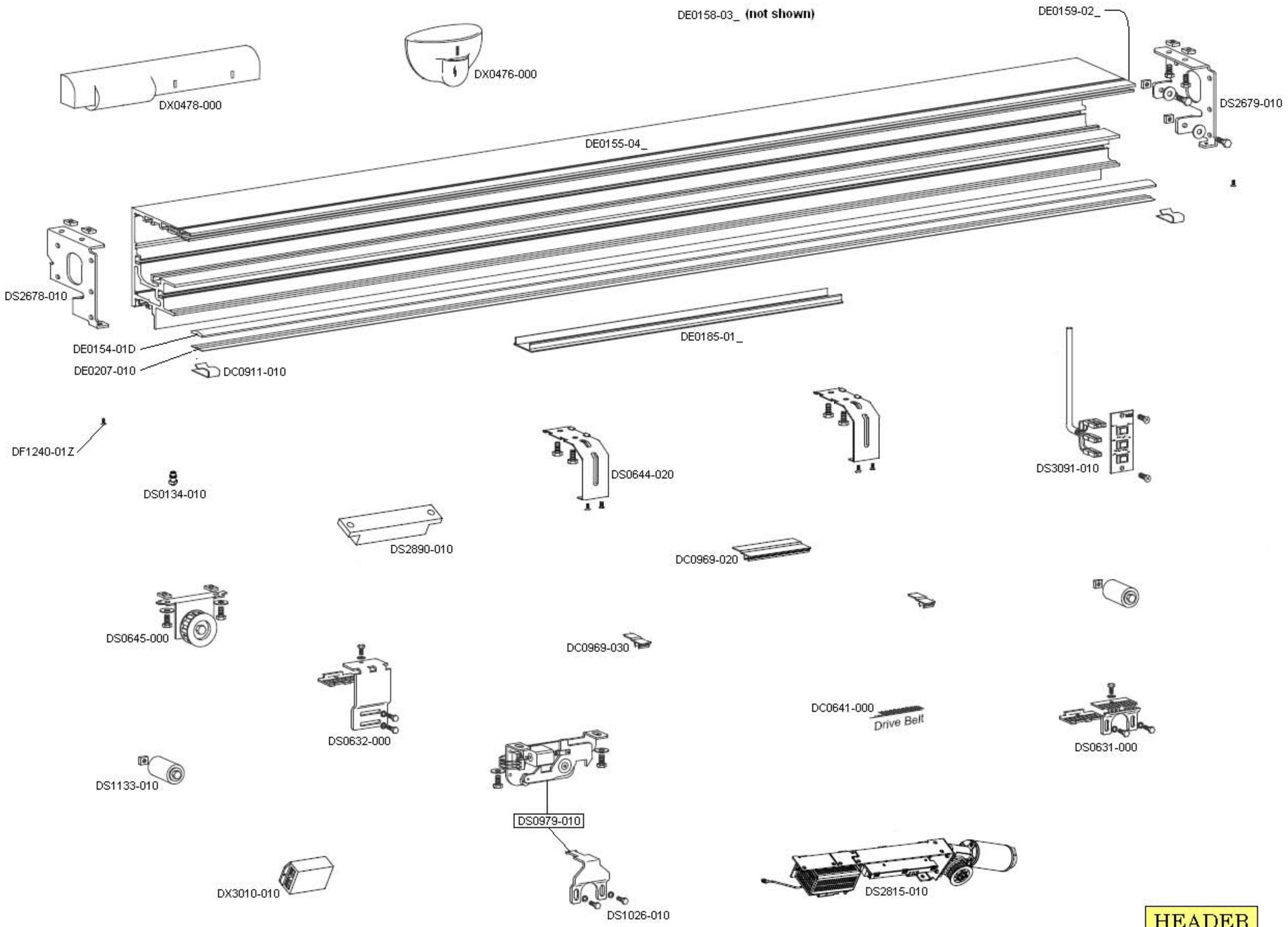
**SO PANEL
ESA 400**

ESA-400 SLIDING DOOR OPERATOR



PART #	DESCRIPTION
DC0112-010	Slide Piece ITS
DC0144-01Z	SX / SO Arm Stop Top
DC0145-01Z	SX / SO Arm Stop Bottom
DC0146-010	Spring Detent Latch Assembly
DC0843-010	Bushing - SO Arm
DC0962-020	Limit Arm - 320mm
DC1096-010	SO Latch Bracket - FF
DC1176-010	"SO" Top Latch Spacer FF
DE0151-120	Weatherstrip - SK27134 (13.4 mm)
DE0152-120	Weatherstrip - SK27159 (15.9mm)
DE0216-01_	"SO"Top Rail (LH) - (RH)
DE0217-01_	"SO" Bottom Rail (LH - RH) and TOP Rail Extension
DE0222-01_	"SO" Interlock Stile - FF
DE0224-01_	"SO" Pivot Stile - FF
DE0227-010	Interlock Gasket - FF
DF0113-010	Limit arm Screw
DF0396-00Z	1/4-20 X 1/2 Soc Set Cone Pt Zinc
DF0983-01Z	10-24 Steel Open End Flanged Rivnut
DF1242-01Z	10 X 2 PH FL TY AB
DF1245-01Z	#8-18 X 1 1/4 Phillips Pan Head Self-Drilling Screw
DF2888-01C	10-24 X 1 Philips Flat Head Thread Machine Screw
DS1217-010	"SO" Bottom Latch Assembly
DS1219-01Z	Bottom Pivot Assembly
DX0824-010	Magnet Switch Assembly

SO PANEL



HEADER
ESA 500

ESA-500 SLIDING DOOR OPERATOR

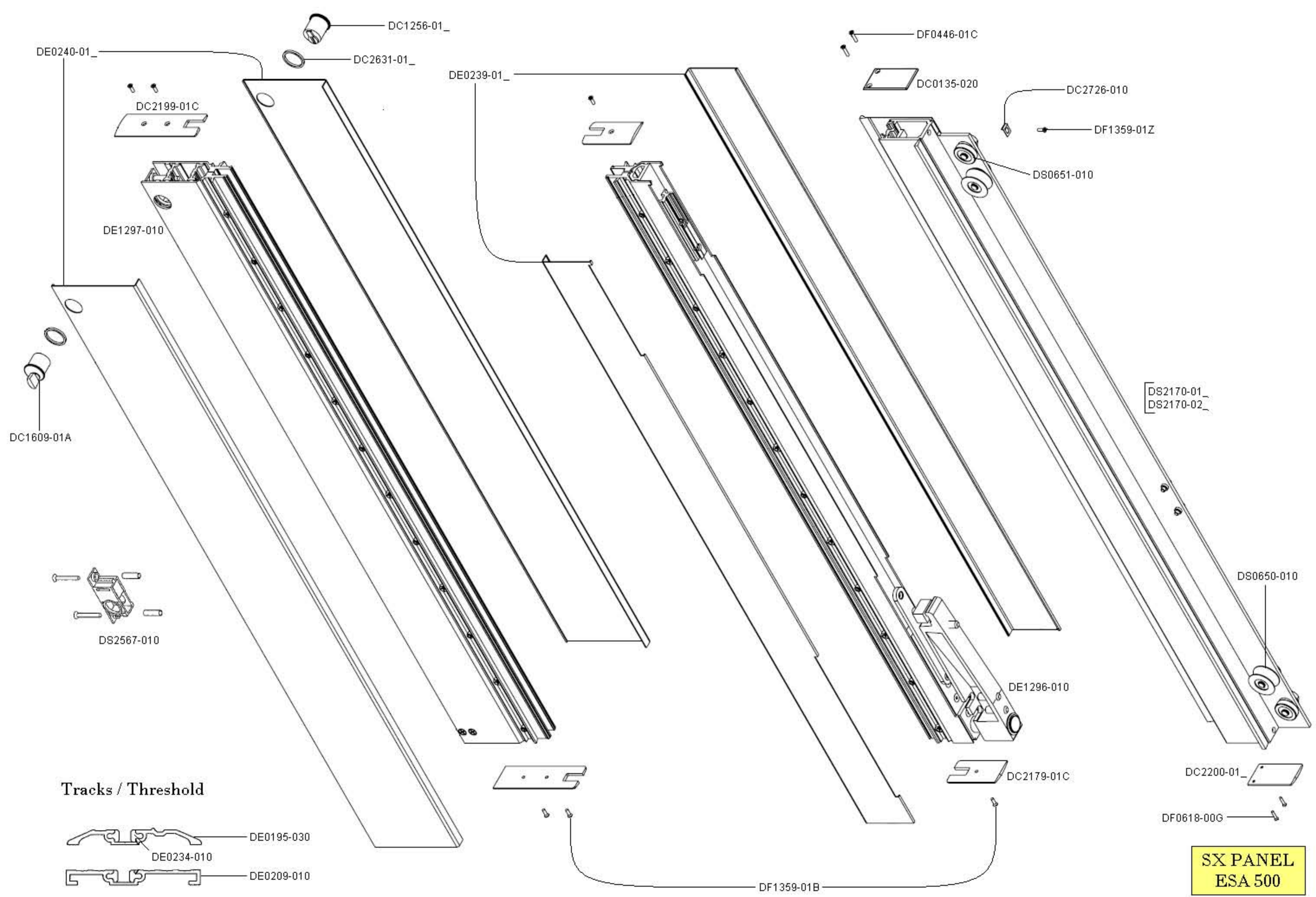


PART #	DESCRIPTION
DC0641-000	Drive Belt, ES-A - LL 8M STPD
DC0911-010	Clip, Header Track
DC0969-020	Wire Clips, Header (400MM)
DC0969-030	Wire Clips, Header (20MM)
DE0154-01D	Roller Track ES-A
DE0155-04_	Header Profile ES-A FB
DE0158-03_	Header Faceplate FB
DE0159-02_	Header Adapt FB
DE0185-01_	Header Filler
DE0207-010	Rubber Track Damper
DF1240-01Z	10-24X1/2 PH FL TYF ZN
DS0631-000	Lower Carrier Bracket
DS0632-000	Upper Carrier Bracket
DS0644-020	Faceplate Support
DS0645-000	Idler Pulley
DS0649-010	Motor/Gear Train/Bracket - 3.3A
DS1026-010	Autolock Bracket
DS1133-010	Endstop Bumper-Round
DS2679-010	Header Bracket RH
DS2815-010	Mini Drive
DS3091-010	Printed Switch Pilot Assembly
DX0476-000	BEA Eagle
DX0478-000	BEA Wizard
DX0824-010	Magnet Switch Assembly (not shown)
DX3010-010	Microcell Beam Kit BEA
DC2845-010	ESAll Blue Tooth Adapter
DC2872-010	ESAll Service Key
DC2911-010	ESAll Tungsten E2 Handheld Program Device
DK3258-010	Magnetic Security Contact
DS0979-010	Autolock- Retro Kit (shown)
DS1238-010	Key Switch Panel - Jamb Mounted
DS2890-010	Battery Backup
DX0485-010	BEA Safety Beams
DX3065-010	Profusion Sensor - Black (2)
DX3065-01A	Profusion Sensor - Silver (2)
DX3206-010	ESAll Palm Pilot Service Key Cable 40"
DX3266-010	Optex 1-One Sensor (2)
DX3271-010	BEA Rain Guard
DX3271-020	Optex Rain Guard

Special Options

Special options are not shown

HEADER



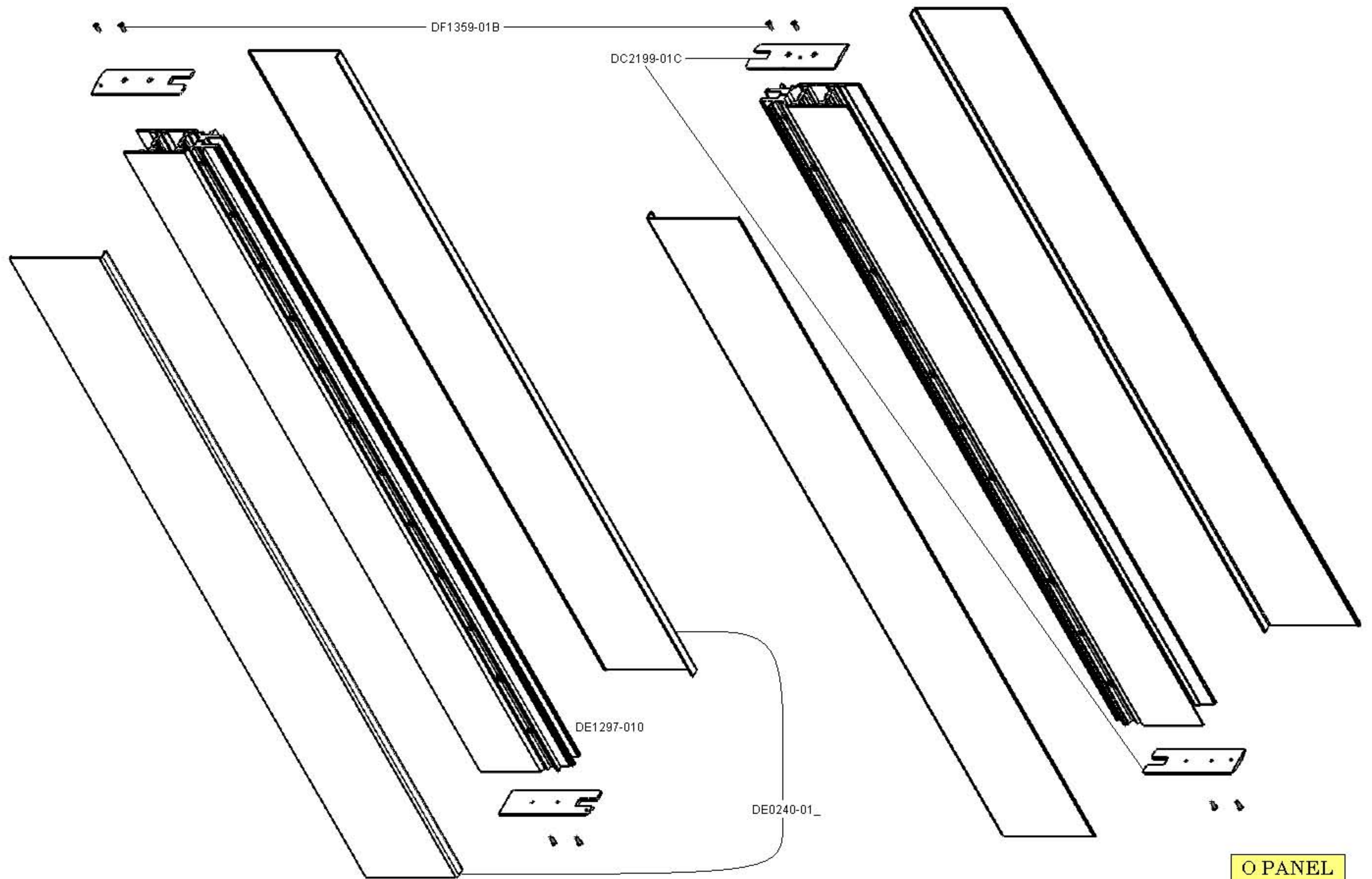
**SX PANEL
ESA 500**

ESA-500 SLIDING DOOR OPERATOR



PART #	DESCRIPTION
DC0135-020	Carrier End Cap Plastic w/ Mounting Holes
DC0147-310	ITS-96 Door Closer (not shown)
DC0986-01X	Lock Indicator (not shown)
DC1256-01_	Lock Cylinder W/Key 1-1/8"
DC1609-01_	Lock Cylinder W/Thumbturn
DC2057-010	Adams Rite 3 Point Mortise Lock (not shown)
DC2179-01C	5/8" Rail End Cap
DC2199-01C	6" Rail End Cap
DC2200-01_	Carrier End Cap
DC2631-01_	Spacer, Cylinder Lock
DC2726-010	Carrier End Cap Top Clip - Black
DE0195-030	Bottom Track FBO
DE0209-01_	Recessed Bottom Track FBO
DE0234-010	Track Cap Bottom Guide
DE0239-01_	5/8" Top Rail Cover RH (SX-O)
DE0240-01_	Bottom Cover LH (O-SX)
DE1296-010	Top Rail Assembly LH (O-SX)
DE1297-010	Bottom Rail Assembly RH (SX-O)
DF0446-01C	#8 X 3/4 Ph FH A S/Black
DF0618-00G	#6 X 5/8 Ph FH Sheet Metal Screw
DF1359-01B	8-32 X 1/2 PH FL HD MS DB
DF1359-01Z	8-32 X 1/2 Ph FH A S - zinc
DS0650-010	Drive Wheel Assembly
DS0651-010	Offset Wheel Assembly
DS1120-010	Breakout Assembly LH (not shown)
DS1121-010	Breakout Assembly RH (not shown)
DS2170-01_	Carrier Assembly - LH (SO-SX)
DS2170-02_	Carrier Assembly - RH (SX-SO)
DS2567-010	Cover and Lock Assembly LH

O/SX PANEL



O PANEL
ESA 500

DE1553-01_ (not shown)

DE1556-01_

DS2339-010

DF0431-00Z

DF0422-01Z

DC2309-010

DF2346-01Z

DE0185-01_

DF1195-01Z

DX0824-010
(optional)

DS1475-010

DF0396-00Z

DC2705-01Z
DC2705-02Z

DC0912-01Z

DC1183-010

DC0145-01Z

DS2797-01Z

DF1021-01Z

DC0112-010

DC0144-01Z

DF0113-010

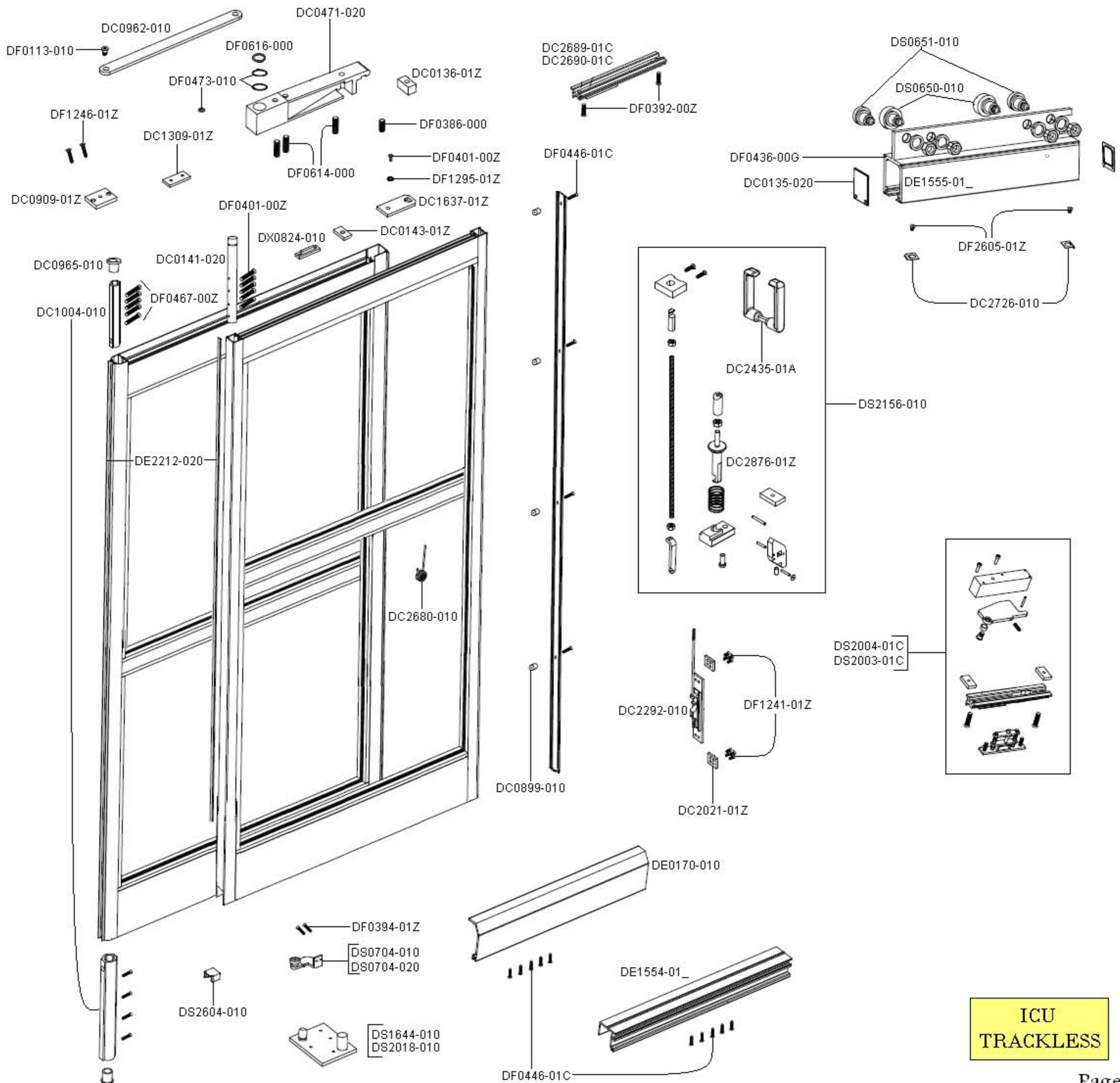
ICU
TRACKLESS

ICU-TRACKLESS SLIDING DOOR



PART #	DESCRIPTION
DC0112-010	Slide Piece ITS
DC0144-01Z	SX / SO Arm Stop, Top
DC0145-01Z	SX / SO Arm Stop, Bottom
DC0912-01Z	Block, SO Top Pivot Mounting
DC1183-010	Track, SO Top Slide
DC2309-010	Contact Rail T-L
DC2705-01Z	Cover, Fastener W/Catch LH
DC2705-02Z	Cover, Fastener W/Catch RH
DE0185-01_	Header Filler
DE1553-01_	Header Faceplate
DE1556-01_	Header Profile
DF0113-010	M8 X 1 ITS Arm Screw SL Block
DF0396-00Z	1/4-20X1/2 SOC Set Cone PT S
DF0422-01Z	5/16-18 Square ZN
DF0431-00Z	5/16-18X1/2 HX HD CS S/ZN
DF1021-01Z	1/4-20X3/4 PH FL HD
DF1195-01Z	8-32X1 PH FL HD MS ZN
DF2346-01Z	External Tooth Lock Washer
DS1475-010	SO Top Pivot Assembly
DS2339-010	Faceplate Fastener
DS2797-01Z	Plate Counter & Dead Stop Bolt
DX0824-010	Assembly, Magnet Switch

HEADER



ICU
 TRACKLESS

ICU-TRACKLESS SLIDING DOOR



PART #	DESCRIPTION
DC0135-020	B/O Plastic End Cap
DC0136-01Z	Adjustment Block
DC0141-020	Pivot Shaft SX
DC0143-01Z	SX Latch Mounting Block
DC0471-020	Arm Carrier SX Casting
DC0899-010	Grommet, Astragal Adjustment
DC0909-01Z	SO Arm Mounting Block, Top
DC0962-010	SO Arm 320MM
DC0965-010	SO Eccentric Pivot Bushing
DC1004-010	Inside Profile Pivot SO
DC1309-01Z	SO Arm Mounting Block Bottom
DC1637-01Z	Locking Plate
DC2021-01Z	Fastener Plate Lever Extension
DC2056-01_	A Flush Lockset, ICU (not shown)
DC2292-010	Lever Extension Bolts
DC2435-01A	Handle, Dorma Glas Lever
DC2680-010	Spring
DC2689-01C	SX Breakout Profile Bottom LH
DC2690-01C	SX Breakout Profile Bottom RH
DC2726-010	Carrier End Cap Clip
DC2876-01Z	Shuttle Lock
DE0170-010	Brush Holder
DE1554-01_	Roller Guide Profile
DE1555-01_	Carrier Profile
DE2212-020	Weather Strip 13.4MM (not shown)

PANELS

ICU-TRACKLESS SLIDING DOOR



PART #	DESCRIPTION
DF0113-010	M8 X 1 ITS Arm Screw
DF0386-000	7/16-14 X 1 SKT Set Cup Screw
DF0392-00Z	1/4-20X1 FL HD SKT Cap Screw
DF0394-01Z	1/4-20X1/2 PH FL UNC MS ZN
DF0401-00Z	1/4-20X5/8 HEX HD S/ZN
DF0436-00G	5/8 FL 1-3/16 X .063 SST
DF0446-01C	8X3/4 PH FLH A S/BL ZN
DF0467-00Z	10-24X5/8 FLH SKT CS ZN SCR
DF0473-010	XS Pivot Shaft
DF0614-000	7/16-14X1 1/2 SOC SET CUP SC
DF0616-000	Retain Ring, H.D. 1" .860 GRV
DF0980-01G	5/8-18 Jambnut SS, (Carrier Extrusion) not shown
DF1241-01Z	10-24X3/8 FLH SKT CS ZN SCR
DF1246-01Z	10-24X1-1/2 FL HD SOC ZN SCR
DF1295-01Z	1/4 EXT Tooth Lockwasher
DF2605-01Z	8 X 3/8 PH FL HD SELF TAP ZINC
DS0650-010	Drive Wheel Assembly
DS0651-010	Offset Wheel Assembly
DS0704-010	SX Bottom Guide Assembly LH
DS0704-020	SX Bottom Guide Assembly RH
DS1644-010	Bearing Plate Assembly SO-SX
DS2003-01C	Breakout Prevent SO-SX
DS2004-01C	Breakout Prevent SX-SO
DS2018-010	Bearing Plate Assembly SX-SO
DS2156-010	Positive Latch Assembly
DS2604-010	Pivot Block Assembly
DX0824-010	Magnet Switch Assembly

PANELS (2)

Accessories



Part Number Activation & Safety Sensor Options List Price

PART #	DESCRIPTION
DX0476-000	BEA Eagle - Microwave Motion Activation Sensor
DX3336-020	BEA Eagle Spacer - May Be Required For Installation of BEA Eagle
DX0477-010	BEA Bodyguard III - Header Mounted Active Infrared Presence Detection
DX3336-030	BEA Bodymount - May Be Required For Installation of BEA Bodyguard III
DX0483-000	BEA DK-12 - Header Mounted Active Infrared Presence Detection
DX0482-000	BEA Superscan II - Door Mounted Active Infrared Presence Detection - 34-1/2" Long With Two Sensors
DX0485-010	BEA Microcell Safety Beams - Infrared Presence Detection - Dual Beam Set
DX3346-010	BEA Paralax I Linx Kit - Single Swing Door ANSI Compliant Sensor Package
DX3346-020	BEA Paralax II Linx Kit - Pair Swing Door ANSI Compliant Sensor Package
DX3346-030	BEA Paralax III Linx DE Kit - Double Egress Swing Door ANSI Compliant Sensor Package
DX3322-010	Bircher Reglomat ArtMotion White - Radar Activator
DX3322-01C	Bircher Reglomat ArtMotion Black - Radar Activator
DX3338-02C	Bircher Reglomat Topscan Black - Panel Mounted Infrared Presence Detector - 33" Long With Two Sensors
DX3338-02A	Bircher Reglomat Topscan Clear - Panel Mounted Infrared Presence Detector - 33" Long With Two Sensors
DX3343-010	Optex Pro-Swing Elite - Active Infrared Combination Activation & Presence Detection - Per Single Swing Door
DX3344-010	Optex Pro-Swing Premier - Header Mounted Active Infrared Presence Detection
Miscellaneous Activation & Safety Sensor Equipment	
DX3336-040	BEA MC Linx - Multifunction Module To Replace MC10, 11, 25, 75, & LE21
DX3336-050	BEA 24VAC - 24 Volt Transformer With Mounting Feet
DX3336-010	BEA Universal Remote Control - Used With Most BEA Sensors To Assist In Setup
DX3348-010	Bircher Reglomat RC Duo Remote Control - Used With Most Bircher Reglomat Sensors To Assist In Setup
Push Plates, Transmitters, & Receivers	
DX3339-010	BEA 4-3/4" Round Panther Push Plate - Push To Open Text & Logo - Includes 433Mhz Transmitter & Box
DX3339-020	BEA 6" Round Panther Push Plate - Push To Open Text & Logo - Includes 433Mhz Transmitter & Box
DX3339-030	BEA 4-3/4" Square Panther Push Plate - Push To Open Text & Logo - Includes 433Mhz Transmitter & Box
DX3339-050	BEA 4-3/4" Round Push Plate - Push To Open Text & Logo - Includes 433Mhz Digital Transmitter
DX3339-060	BEA 6" Round Push Plate - Push To Open Text & Logo - Includes 433Mhz Digital Transmitter
DX3339-070	BEA 4-3/4" Square Push Plate - Push To Open Text & Logo - Includes 433Mhz Digital Transmitter
DX3339-040	BEA 1-1/2" x 4-3/4" Jamb Push Plate - Push To Open Text & Logo - Does Not Include Box or Transmitter
DX3335-050	BEA 433Mhz Digital Transmitter With Leads
DX3335-010	BEA Handheld One-Button 433Mhz Digital Transmitter
DX3335-000	BEA 433Mhz Digital Receiver
DC3179-010	MS Sedco Clearpath Multi-Frequency Wall Mounted Wireless Push Button With Transmitter
DC3180-010	MS Sedco ClearPath Multi-Frequency One-Button Handheld Wireless Mico-Transmitter
DC3181-010	MS Sedco ClearPath Multi-Frequency Wireless Receiver
Bollards	
DC3340-01A	Silver Carbon Steel Bollars - 42" Tall x 6" Wide x 4" Deep - Used With 4-3/4" Square Push Plates
DC3340-01B	Bronze Carbon Steel Bollars - 42" Tall x 6" Wide x 4" Deep - Used With 4-3/4" Square Push Plates
DC3340-01C	Black Carbon Steel Bollars - 42" Tall x 6" Wide x 4" Deep - Used With 4-3/4" Square Push Plates
Access & Security Options	
DC0986-01A	Lock Indicator Clear - Full Door Packages Only
DC0986-01B	Lock Indicator Dark Bronze- Full Door Packages Only
DS3284-010	Single Key Switch Panel - Replaces Standard Rocker Switch Panel